

# TUBELITE, INC.

## SERIES 200 CURTAIN WALL (NON-HVHZ)(NON-IMPACT)

**TUBELITE**  
DEPENDABLE  
LEADERS IN ECO-EFFICIENT STOREFRONT,  
CURTAINWALL AND ENTRANCE SYSTEMS

3056 WALKER RIDGE DRIVE N.W.  
WALKER, MICHIGAN 49544  
PH: 800 866 2227 FX: 616 301 0008

GENERAL NOTES:

- THE PRODUCT SHOWN HEREIN IS DESIGNED AND MANUFACTURED TO COMPLY WITH THE CURRENT FLORIDA BUILDING CODE (FBC), **EXCLUDING** HVHZ AND HAS BEEN EVALUATED ACCORDING TO THE FOLLOWING:
  - ASTM E 283-04(12)
  - ASTM E 331-00(09)
  - ASTM E 330-02
  - AAMA 501-15
- ADEQUACY OF THE EXISTING STRUCTURAL CONCRETE/MASONRY, 2X FRAMING AND METAL STUD FRAMING AS A MAIN WIND FORCE RESISTING SYSTEM CAPABLE OF WITHSTANDING AND TRANSFERRING APPLIED PRODUCT LOADS TO THE FOUNDATION IS THE RESPONSIBILITY OF THE ENGINEER OR ARCHITECT OF RECORD FOR THE PROJECT OF INSTALLATION.
- 1X AND 2X BUCKS (WHEN USED) SHALL BE DESIGNED AND ANCHORED TO PROPERLY TRANSFER ALL LOADS TO THE STRUCTURE. BUCK DESIGN AND INSTALLATION IS THE RESPONSIBILITY OF THE ENGINEER OR ARCHITECT OF RECORD FOR THE PROJECT OF INSTALLATION.
- THE INSTALLATION DETAILS DESCRIBED HEREIN ARE GENERIC AND MAY NOT REFLECT ACTUAL CONDITIONS FOR A SPECIFIC SITE. IF SITE CONDITIONS CAUSE INSTALLATION TO DEVIATE FROM THE REQUIREMENTS DETAILED HEREIN, A LICENSED ENGINEER OR ARCHITECT SHALL PREPARE SITE SPECIFIC DOCUMENTS FOR USE WITH THIS DOCUMENT.
- APPROVED IMPACT PROTECTIVE SYSTEM **IS REQUIRED** ON THIS PRODUCT IN AREAS REQUIRING IMPACT RESISTANCE.
- FRAME MATERIAL: ALUMINUM 6063-T5 MINIMUM
- ALL STRUCTURAL MATERIALS & DISSIMILAR METALS SHALL BE PROTECTED, TREATED, PAINTED, COATED, AND/OR ISOLATED AS REQUIRED IN THE APPLICABLE SECTIONS OF THE CURRENT FLORIDA BUILDING CODE AND REFERENCED DESIGN SPECIFICATIONS.
- GLASS MEETS THE REQUIREMENTS OF ASTM E 1300 GLASS CHARTS. SEE SHEET 3 FOR GLAZING DETAILS.
- GLASS SHALL BE SET WITH THE USE OF SETTING BLOCKS IN ACCORDANCE WITH CHAPTER 24 OF THE CURRENT FLORIDA BUILDING CODE.
- GLAZING GASKETS SHALL MEET THE MINIMUM PERFORMANCE REQUIREMENTS AS APPLICABLE IN CHAPTER 24 OF THE FLORIDA BUILDING CODE.

TABLE OF CONTENTS	
SHEET	SHEET DESCRIPTION
1	GENERAL NOTES & TABLE OF CONTENTS
2	ELEVATION
3	GLAZING DETAILS AND DESIGN PRESSURE TABLE
4	HORIZONTAL DETAILS
5	VERTICAL DETAILS AND DESIGN PRESSURES (8" SYSTEM)
6	VERTICAL DETAILS AND DESIGN PRESSURES (6" SYSTEM)
7	VERTICAL DETAILS AND DESIGN PRESSURES (8" SYSTEM) (CONT.)
8	VERTICAL DETAILS AND DESIGN PRESSURES (6" SYSTEM) (CONT.)
9	CORNER DETAILS
10	DOOR DETAILS
11	WIND LOAD ANCHOR DETAILS
12	ANCHOR LAYOUT, SCHEDULE & DESIGN PRESSURES
13	ANCHOR DETAILS AND INSTALLATION NOTES

MISSILE IMPACT RATING	DESIGN PRESSURE
NOT IMPACT RATED	SEE SHEETS 3, 5, 6, 7, 8 AND 12 FOR DESIGN PRESSURE LIMITATIONS. THE LOWEST APPLICABLE VALUE SHALL BE APPLIED TO THE ENTIRE SYSTEM.

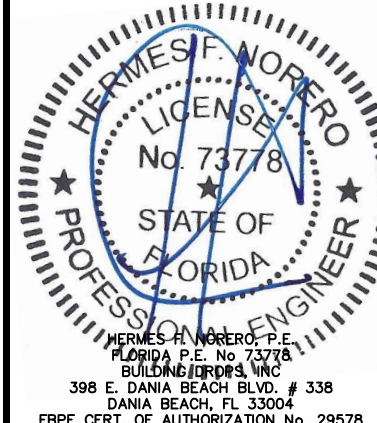
TITLE: 200 SERIES CURTAIN WALL  
(NON-HVHZ)(NON-IMPACT)  
GENERAL NOTES & TABLE OF CONTENTS

PREPARED BY:  
BUILDING DROPS, INC.  
398 E. DANIA BEACH BLVD., STE. 338  
DANIA BEACH, FL 33004  
PH: (954)399-8478  
FAX: (954)744-4738  
WEB: www.buildingdrops.com



REMARKS	BY	DATE

THE INSTALLATION DETAILS DESCRIBED HEREIN ARE GENERIC AND MAY NOT REFLECT ACTUAL CONDITIONS FOR A SPECIFIC SITE. IF SITE CONDITIONS CAUSE INSTALLATION TO DEVIATE FROM THE REQUIREMENTS DETAILED HEREIN, A LICENSED ENGINEER OR ARCHITECT SHALL PREPARE SITE SPECIFIC DOCUMENTS FOR USE WITH THIS DOCUMENT



HERMES F. NORERO, P.E.  
FLORIDA P.E. No. 73778  
BUILDING DROPS, INC.  
398 E. DANIA BEACH BLVD. # 338  
DANIA BEACH, FL 33004  
FBPE CERT. OF AUTHORIZATION No. 29578

FL #: **FL15568**

DATE: **09.15.20**

DWG. BY: **LL**      CHK. BY: **HFN**

SCALE: **NTS**

DWG. #: **TLI006**

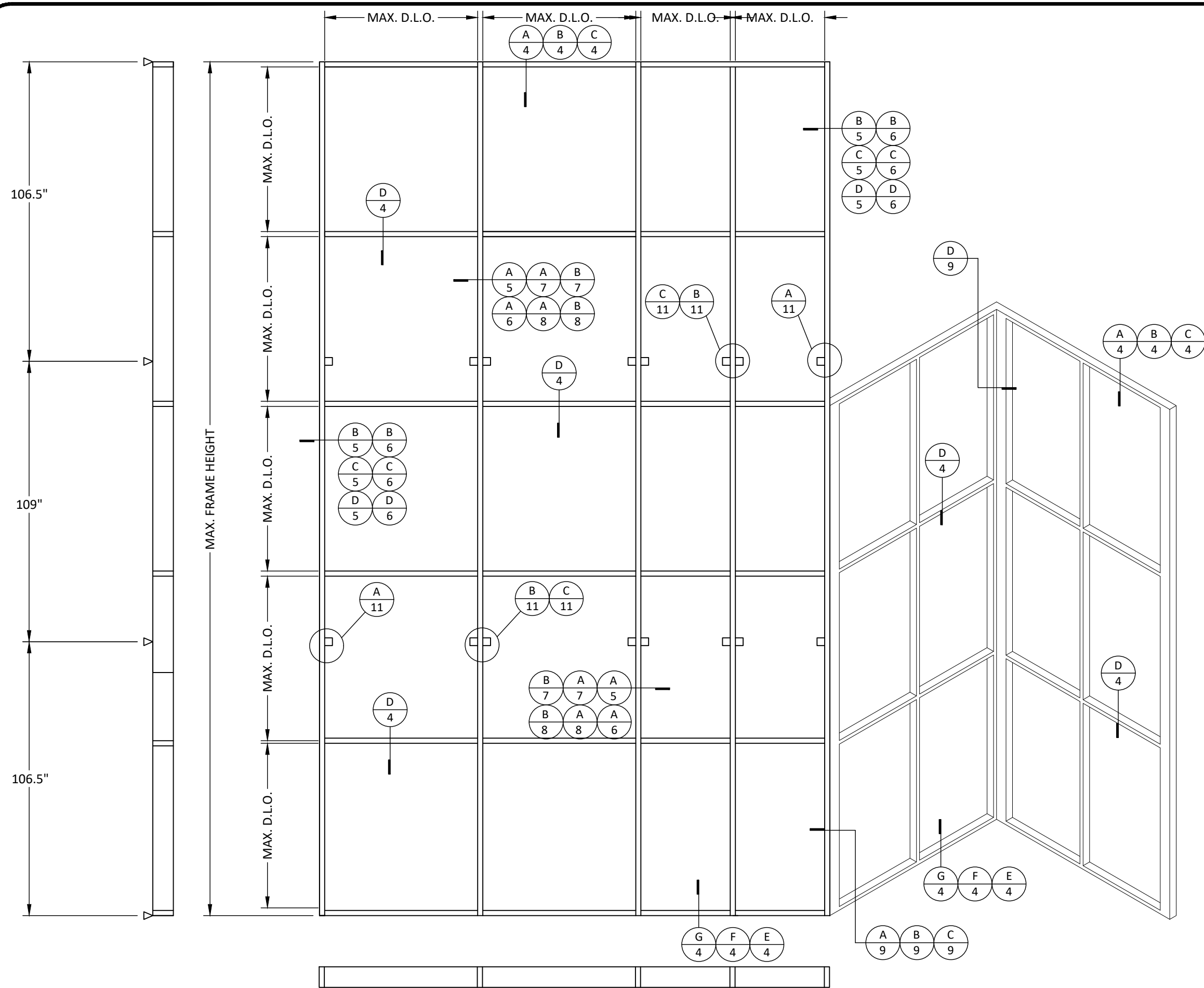
SHEET

**1**

c:\users\p50\onedrive - building drops, inc.\11006-2020-12-20.dwg 12/20/2020 7:06 PM

12/20/2020 7:05 PM

c:\users\p50\onedrive - building drops, inc.\11006 2020-12-20.dwg



### ELEVATION

**TUBELITE**  
 DEPENDABLE  
 LEADERS IN ECO-EFFICIENT STOREFRONT,  
 CURTAINWALL AND ENTRANCE SYSTEMS

3056 WALKER RIDGE DRIVE N.W.  
 WALKER, MICHIGAN 49544  
 PH: 800 866 2227 FX: 616 301 0008

TITLE: 200 SERIES CURTAIN WALL  
 (NON-HVHZ)(NON-IMPACT)

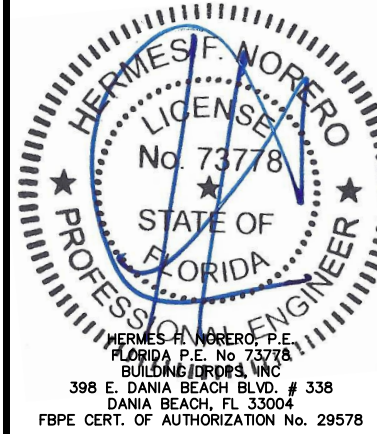
ELEVATIONS

PREPARED BY:  
**BUILDING DROPS, INC.**  
 398 E. DANIA BEACH BLVD., STE. 338  
 DANIA BEACH, FL 33004  
 PH: (954)399-8478  
 FAX: (954)744-4738  
 WEB: www.buildingdrops.com



REMARKS	BY	DATE

THE INSTALLATION DETAILS DESCRIBED HEREIN ARE GENERIC AND MAY NOT REFLECT ACTUAL CONDITIONS FOR A SPECIFIC SITE. IF SITE CONDITIONS CAUSE INSTALLATION TO DEVIATE FROM THE REQUIREMENTS DETAILED HEREIN, A LICENSED ENGINEER OR ARCHITECT SHALL PREPARE SITE SPECIFIC DOCUMENTS FOR USE WITH THIS DOCUMENT



FL #: **FL15568**

DATE: **09.15.20**

DWG. BY: **LL**      CHK. BY: **HFN**

SCALE: **NTS**

DWG. #: **TLI006**

SHEET  
**2**  
 OF 13

# GLAZING DETAILS AND GLASS CAPACITY CHART

**TUBELITE**  
 DEPENDABLE  
 LEADERS IN ECO-EFFICIENT STOREFRONT,  
 CURTAINWALL AND ENTRANCE SYSTEMS

3056 WALKER RIDGE DRIVE N.W.  
 WALKER, MICHIGAN 49544  
 PH: 800 866 2227 FX: 616 301 0008

TITLE: 200 SERIES CURTAIN WALL  
 (NON-HVHZ)(NON-IMPACT)  
 GLAZING DETAILS AND GLASS  
 CAPACITY CHART

PREPARED BY:  
**BUILDING DROPS, INC.**  
 398 E. DANIA BEACH BLVD., STE. 338  
 DANIA BEACH, FL 33004  
 PH: (954)399-8478  
 FAX: (954)744-4738  
 WEB: www.buildingdrops.com



REMARKS	BY	DATE

THE INSTALLATION DETAILS DESCRIBED HEREIN ARE GENERIC AND MAY NOT REFLECT ACTUAL CONDITIONS FOR A SPECIFIC SITE. IF SITE CONDITIONS CAUSE INSTALLATION TO DEVIATE FROM THE REQUIREMENTS DETAILED HEREIN, A LICENSED ENGINEER OR ARCHITECT SHALL PREPARE SITE SPECIFIC DOCUMENTS FOR USE WITH THIS DOCUMENT



FL #:  
**FL15568**

DATE: **09.15.20**

DWG. BY: **LL**      CHK. BY: **HFN**

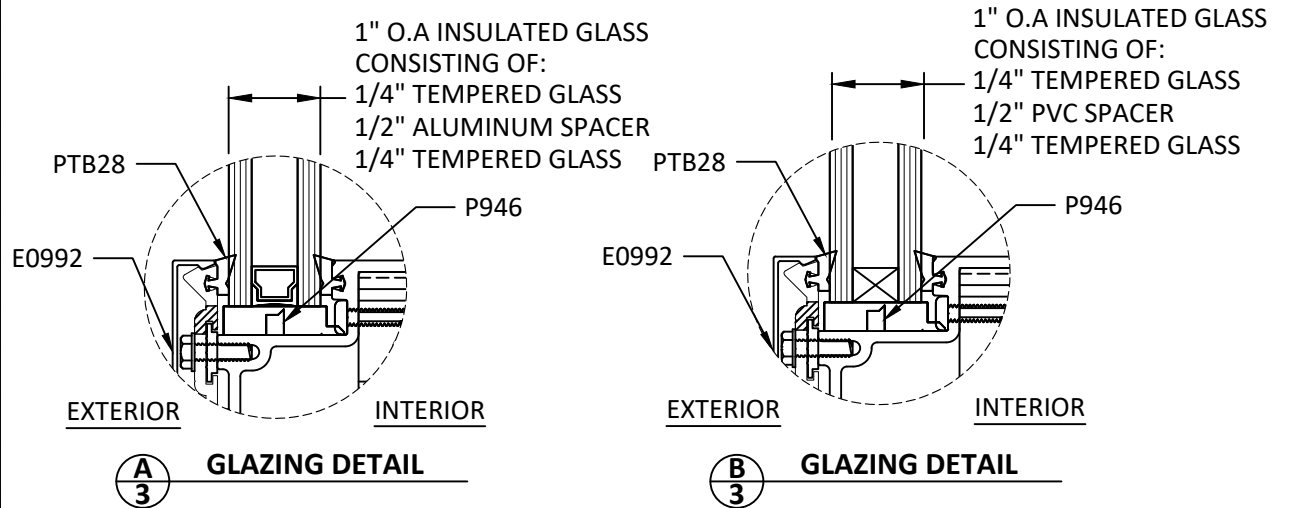
SCALE: **NTS**

DWG. #: **TLI006**

SHEET  
**3**  
 OF 13

DESIGN PRESSURE TABLE: GLAZING CAPACITY BY TYPE			
D.L.O. WIDTH (IN)	D.L.O. HEIGHT (IN)	DESIGN PRESSURE (+/- PSF)	
		TYPE 'A' & 'B'	
47.5	52	74.0	
	55	70.8	
	58	68.1	
	61	65.9	
	64	64.0	
	67	62.3	
	70	60.9	
	73	59.6	
	76	58.5	
	50.5	52	70.7
55		69.9	
58		67.0	
61		64.6	
64		62.5	
67		60.7	
70		59.2	
73		57.8	
53.5		52	68.7
		55	66.7
	58	66.3	
	61	63.6	
	64	61.4	
	67	59.4	
	70	57.8	
56.5	52	68.1	
	55	64.9	
	58	63.2	
	61	63.0	
	64	60.5	
	67	58.5	

DESIGN PRESSURE TABLE: GLAZING CAPACITY BY TYPE		
D.L.O. WIDTH (IN)	D.L.O. HEIGHT (IN)	DESIGN PRESSURE (+/- PSF)
		TYPE 'A' & 'B'
59.5	52	65.3
	55	64.6
	58	61.6
	61	60.0
	64	60.0
62.5	52	62.9
	55	62.0
	58	61.5
65.5	52	60.9
	55	59.9
	58	59.1
68.5	52	59.2
	55	58.0
71.5	52	57.7

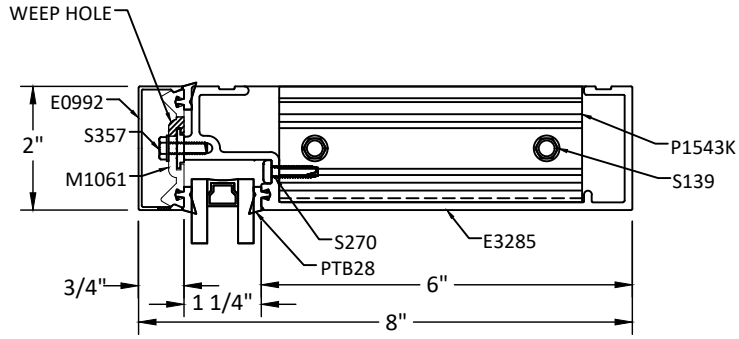


- GLAZING NOTES:**
- GLASS TYPE COMPLIES WITH ASTM E1300 REQUIREMENTS AS WELL AS APPLICABLE SAFETY GLAZING REQUIREMENTS PER THE FBC. TEMPER AND SAFETY GLAZING REQUIREMENTS SHALL BE REVIEWED ON A SITE SPECIFIC BASIS.
  - SETTING BLOCK DUROMETER HARDNESS OF 70-90 (SHORE A) AS REFERENCED IN FBC CHAPTER 24.
  - TWO APPROVED SETTING BLOCKS SHALL BE USED FOR GLASS WIDER THAN 36" AS PER FBC CHAPTER 24.
  - D.L.O. AND DESIGN PRESSURES MAY NOT EXCEED MAX VALUES IN SIZE CHARTS.

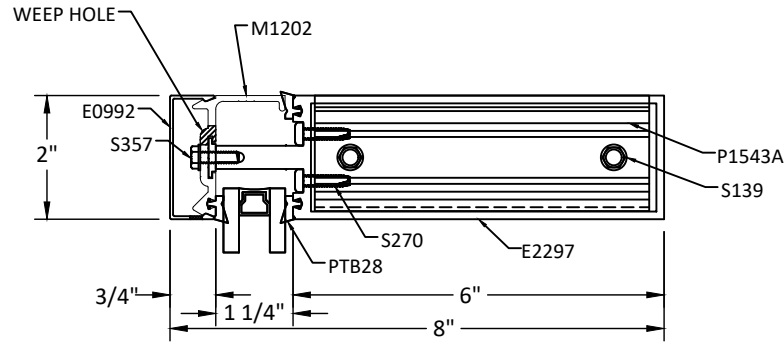
12/20/2020 7:06 PM

c:\users\p50\onedrive - building drops, inc.\tl006 2020-12-20.dwg

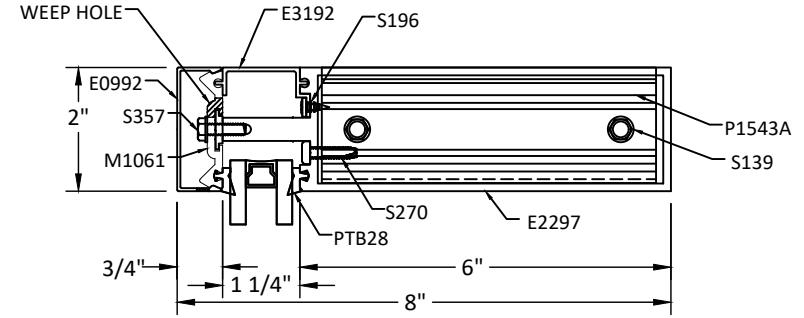
# HORIZONTAL DETAILS



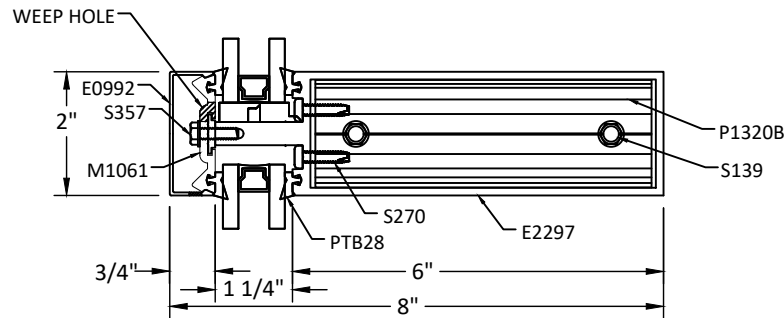
**A**  
4 HORIZONTAL DETAIL  
OPTIONAL HEAD



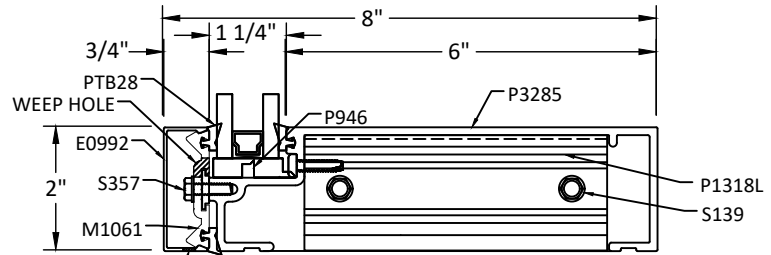
**B**  
4 HORIZONTAL DETAIL  
STANDARD HEAD



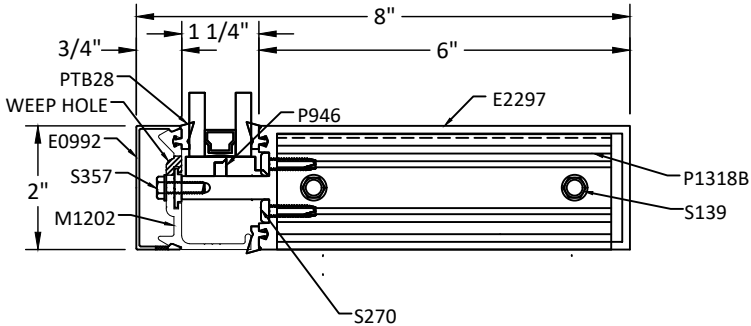
**C**  
4 HORIZONTAL DETAIL  
OPTIONAL HEAD



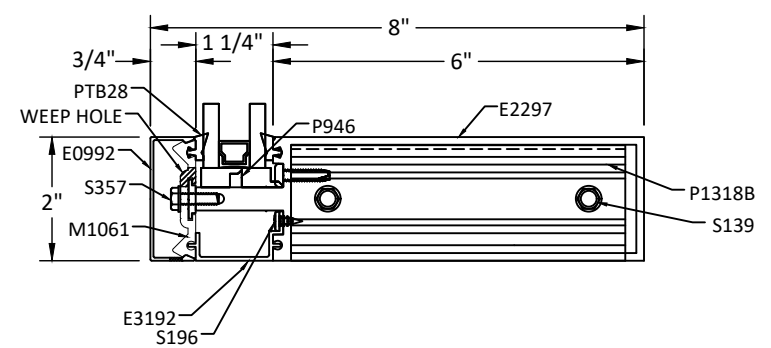
**D**  
4 HORIZONTAL DETAIL  
STANDARD



**E**  
4 HORIZONTAL DETAIL  
OPTIONAL SILL



**F**  
4 HORIZONTAL DETAIL  
STANDARD SILL



**G**  
4 HORIZONTAL DETAIL  
OPTIONAL SILL

**TUBELITE**  
DEPENDABLE  
LEADERS IN ECO-EFFICIENT STOREFRONT,  
CURTAINWALL AND ENTRANCE SYSTEMS

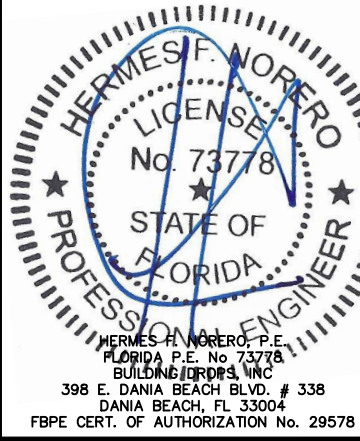
3056 WALKER RIDGE DRIVE N.W.  
WALKER, MICHIGAN 49544  
PH: 800 866 2227 FX: 616 301 0008

TITLE: 200 SERIES CURTAIN WALL  
(NON-HVHZ)(NON-IMPACT)  
HORIZONTAL DETAILS

PREPARED BY:  
**BUILDING DROPS, INC.**  
398 E. DANIA BEACH BLVD., STE. 338  
DANIA BEACH, FL 33004  
PH: (954)399-8478  
FAX: (954)744-4738  
WEB: www.buildingdrops.com

REMARKS	BY	DATE

THE INSTALLATION DETAILS DESCRIBED HEREIN ARE GENERIC AND MAY NOT REFLECT ACTUAL CONDITIONS FOR A SPECIFIC SITE. IF SITE CONDITIONS CAUSE INSTALLATION TO DEVIATE FROM THE REQUIREMENTS DETAILED HEREIN, A LICENSED ENGINEER OR ARCHITECT SHALL PREPARE SITE SPECIFIC DOCUMENTS FOR USE WITH THIS DOCUMENT



FL #: **FL15568**

DATE: **09.15.20**

DWG. BY: **LL** CHK. BY: **HFN**

SCALE: **NTS**

DWG. #: **TLI006**

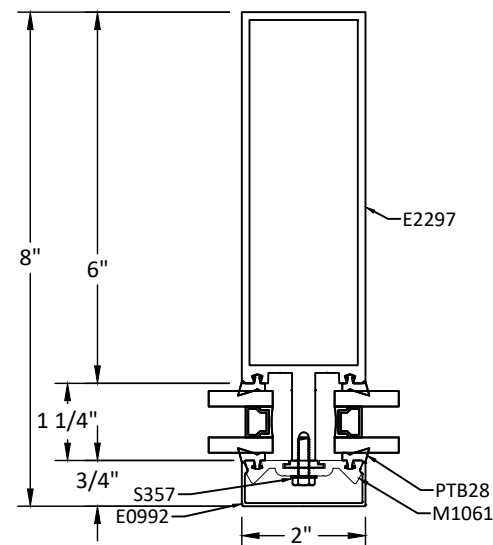
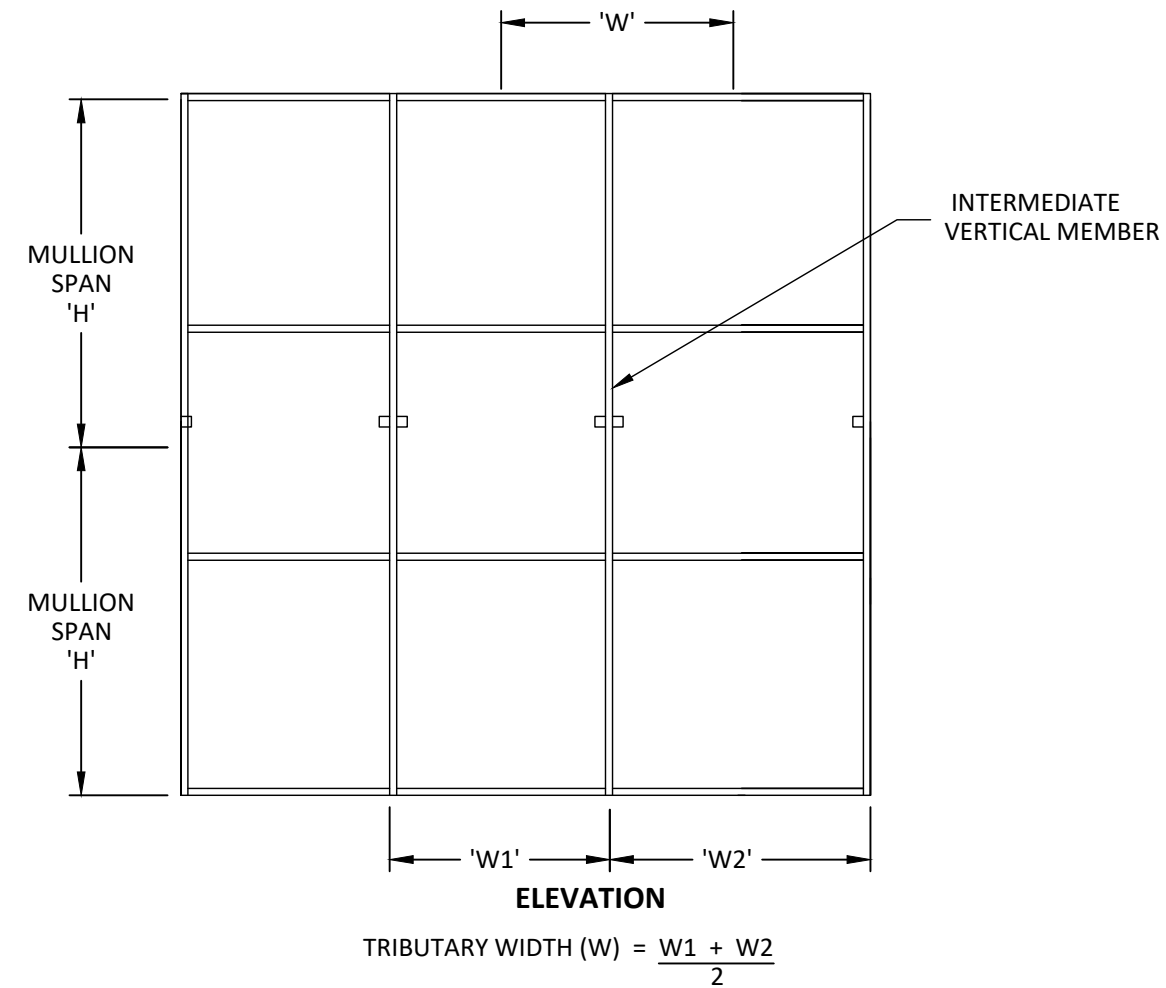
SHEET  
**4**  
OF 13



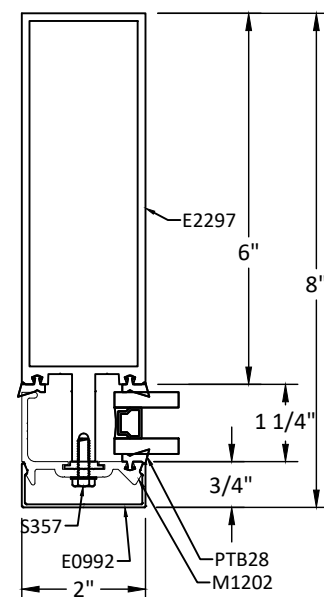
# VERTICAL DETAILS AND DESIGN PRESSURES (8" SYSTEM)

DESIGN PRESSURE TABLE (+/- PSF) - 8" INTERMEDIATE VERTICAL

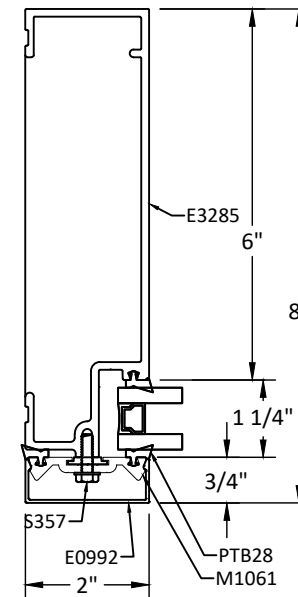
MULLION SPAN (INCHES)	MULLION TRIBUTARY WIDTH (INCHES)							
	36	42	48	54	61.5	66	72	
90	90.0	90.0	90.0	84.9	79.2	76.8	74.3	
96	90.0	90.0	83.5	77.5	72.0	69.4	-	
102	90.0	84.9	77.1	71.3	65.9	-	-	
109	88.1	78.1	70.8	65.2	60.0	-	-	
114	81.8	71.1	63.3	57.4	-	-	-	
120	69.8	60.7	53.9	48.8	-	-	-	
126	60.1	52.2	46.3	-	-	-	-	
132	52.1	45.2	40.0	-	-	-	-	
138	45.5	39.4	34.9	-	-	-	-	
144	40.0	34.6	-	-	-	-	-	
160	29.0	-	-	-	-	-	-	



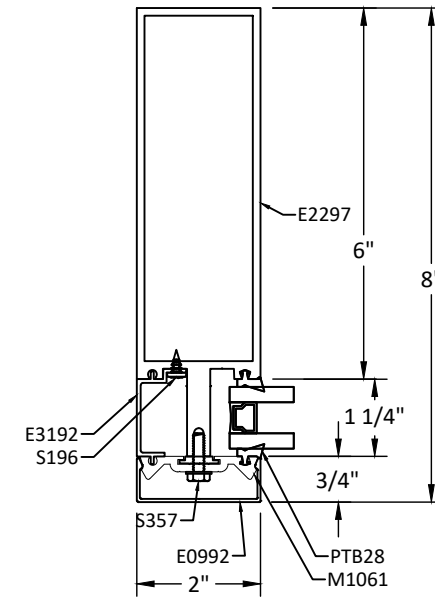
**A**  
**5** VERTICAL DETAIL  
8" STANDARD INTERMEDIATE VERTICAL



**B**  
**5** VERTICAL DETAIL  
8" STANDARD TUBULAR JAMB



**C**  
**5** VERTICAL DETAIL  
8" OPTIONAL OPEN BACK JAMB



**D**  
**5** VERTICAL DETAIL  
8" OPTIONAL TUBULAR JAMB

**TUBELITE**  
DEPENDABLE

LEADERS IN ECO-EFFICIENT STOREFRONT,  
CURTAINWALL AND ENTRANCE SYSTEMS

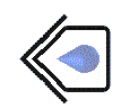
3056 WALKER RIDGE DRIVE N.W.  
WALKER, MICHIGAN 49544  
PH: 800 866 2227 FX: 616 301 0008

TITLE: 200 SERIES CURTAIN WALL  
(NON-HVHZ)(NON-IMPACT)

VERTICAL DETAILS AND  
DESIGN PRESSURES (8" SYSTEM)

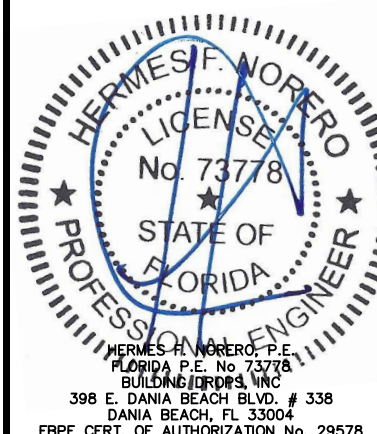
PREPARED BY:  
BUILDING DROPS, INC.

398 E. DANIA BEACH BLVD., STE. 338  
DANIA BEACH, FL 33004  
PH: (954)399-8478  
FAX: (954)744-4738  
WEB: www.buildingdrops.com



REMARKS	BY	DATE

THE INSTALLATION DETAILS DESCRIBED HEREIN ARE GENERIC AND MAY NOT REFLECT ACTUAL CONDITIONS FOR A SPECIFIC SITE. IF SITE CONDITIONS CAUSE INSTALLATION TO DEVIATE FROM THE REQUIREMENTS DETAILED HEREIN, A LICENSED ENGINEER OR ARCHITECT SHALL PREPARE SITE SPECIFIC DOCUMENTS FOR USE WITH THIS DOCUMENT



FL #: **FL15568**

DATE: **09.15.20**

DWG. BY: <b>LL</b>	CHK. BY: <b>HFN</b>
-----------------------	------------------------

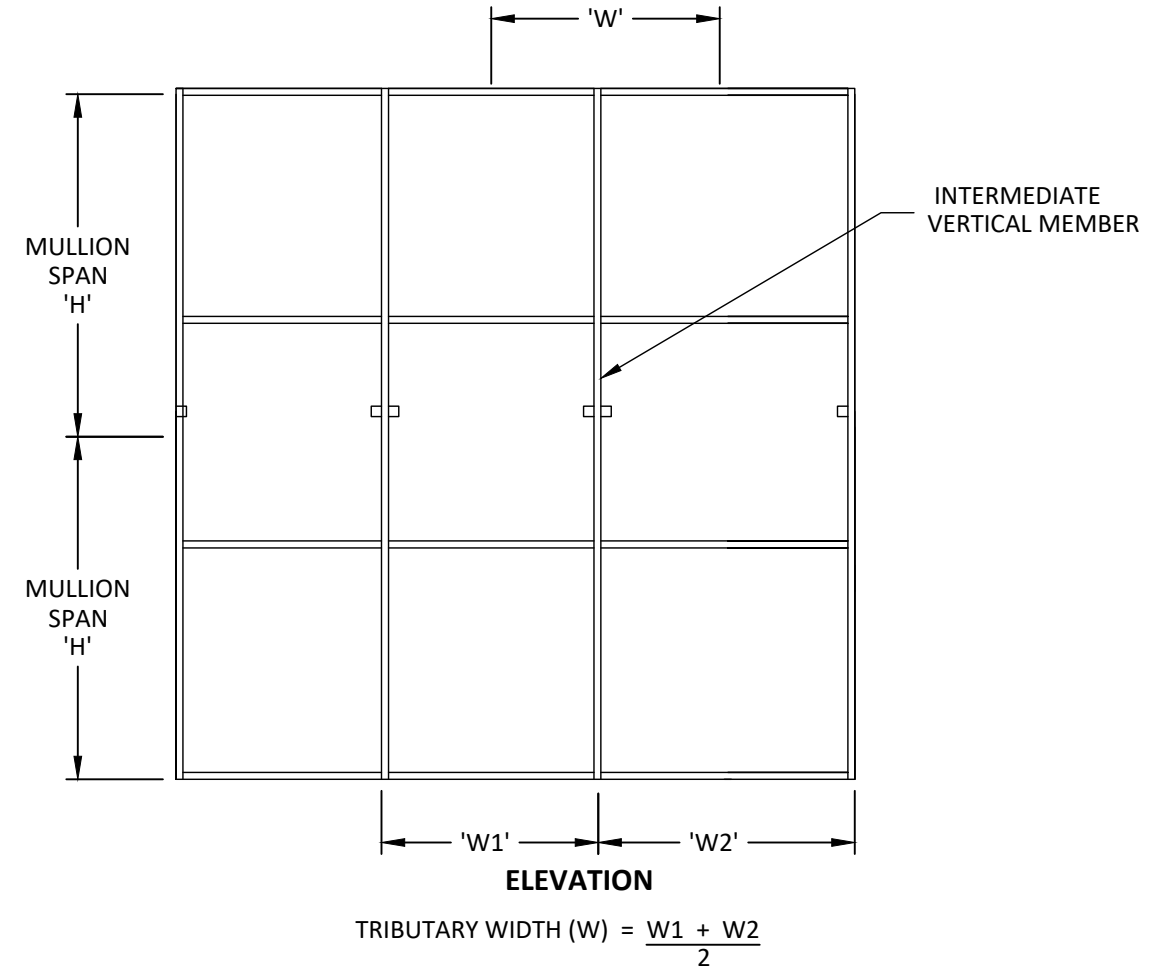
SCALE: **NTS**

DWG. #: **TLI006**

# VERTICAL DETAILS AND DESIGN PRESSURES (6" SYSTEM)

DESIGN PRESSURE TABLE (+/- PSF) - 6" INTERMEDIATE VERTICAL

MULLION SPAN (INCHES)	MULLION TRIBUTARY WIDTH (INCHES)							
	36	42	48	54	61.5	66	72	
90	90.0	90.0	90.0	84.9	79.2	76.8	74.3	
96	90.0	78.6	68.8	61.1	53.7	50.0	-	
102	81.2	69.6	60.9	54.1	47.5	-	-	
109	71.1	61.0	53.3	47.4	41.6	-	-	
114	65.0	55.7	48.8	43.3	-	-	-	
120	58.7	50.3	44.0	39.1	-	-	-	
126	53.2	45.6	39.9	-	-	-	-	
132	48.5	41.6	36.4	-	-	-	-	
138	44.4	38.0	33.3	-	-	-	-	
144	40.7	34.9	-	-	-	-	-	
160	33.0	-	-	-	-	-	-	



**TUBELITE**  
DEPENDABLE  
LEADERS IN ECO-EFFICIENT STOREFRONT,  
CURTAINWALL AND ENTRANCE SYSTEMS

3056 WALKER RIDGE DRIVE N.W.  
WALKER, MICHIGAN 49544  
PH: 800 866 2227 FX: 616 301 0008

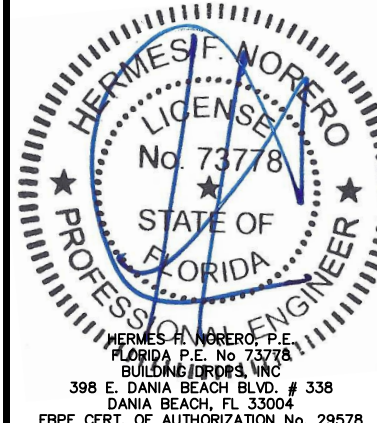
TITLE: 200 SERIES CURTAIN WALL  
(NON-HVHZ)(NON-IMPACT)  
VERTICAL DETAILS AND  
DESIGN PRESSURES (6" SYSTEM)

PREPARED BY:  
**BUILDING DROPS, INC.**  
398 E. DANIA BEACH BLVD., STE. 338  
DANIA BEACH, FL 33004  
PH: (954) 399-8478  
FAX: (954) 744-4738  
WEB: www.buildingdrops.com



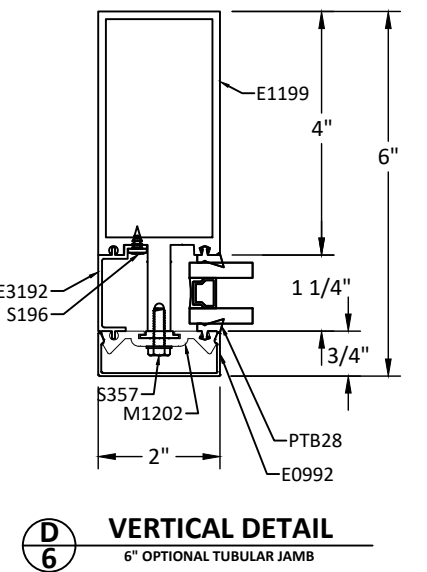
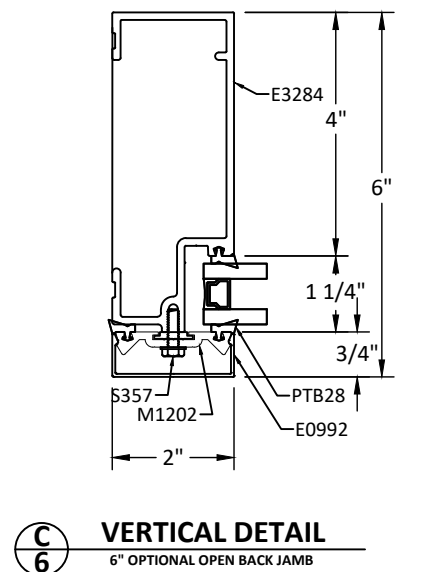
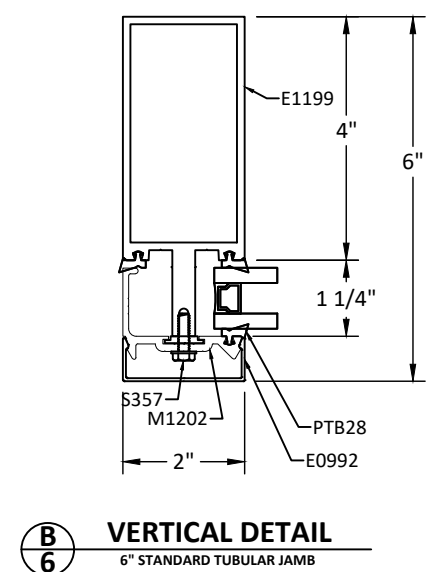
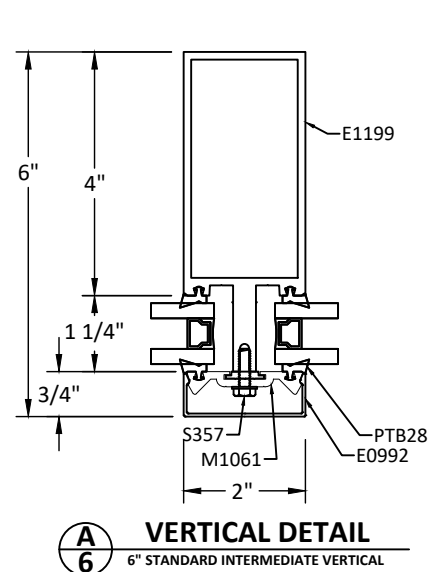
REMARKS	BY	DATE

THE INSTALLATION DETAILS DESCRIBED HEREIN ARE GENERIC AND MAY NOT REFLECT ACTUAL CONDITIONS FOR A SPECIFIC SITE. IF SITE CONDITIONS CAUSE INSTALLATION TO DEVIATE FROM THE REQUIREMENTS DETAILED HEREIN, A LICENSED ENGINEER OR ARCHITECT SHALL PREPARE SITE SPECIFIC DOCUMENTS FOR USE WITH THIS DOCUMENT



FL #: **FL15568**  
DATE: **09.15.20**  
DWG. BY: **LL** | CHK. BY: **HFN**  
SCALE: **NTS**  
DWG. #: **TLI006**

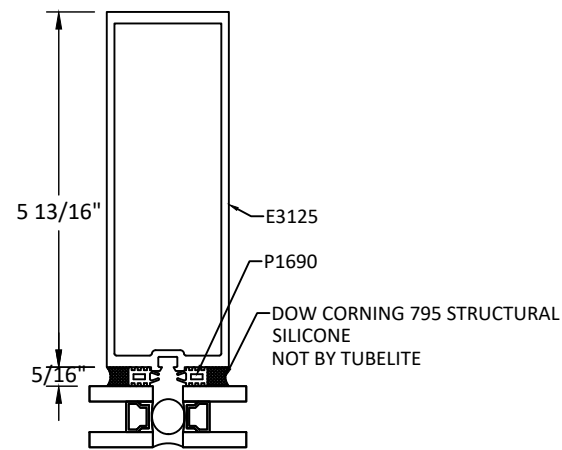
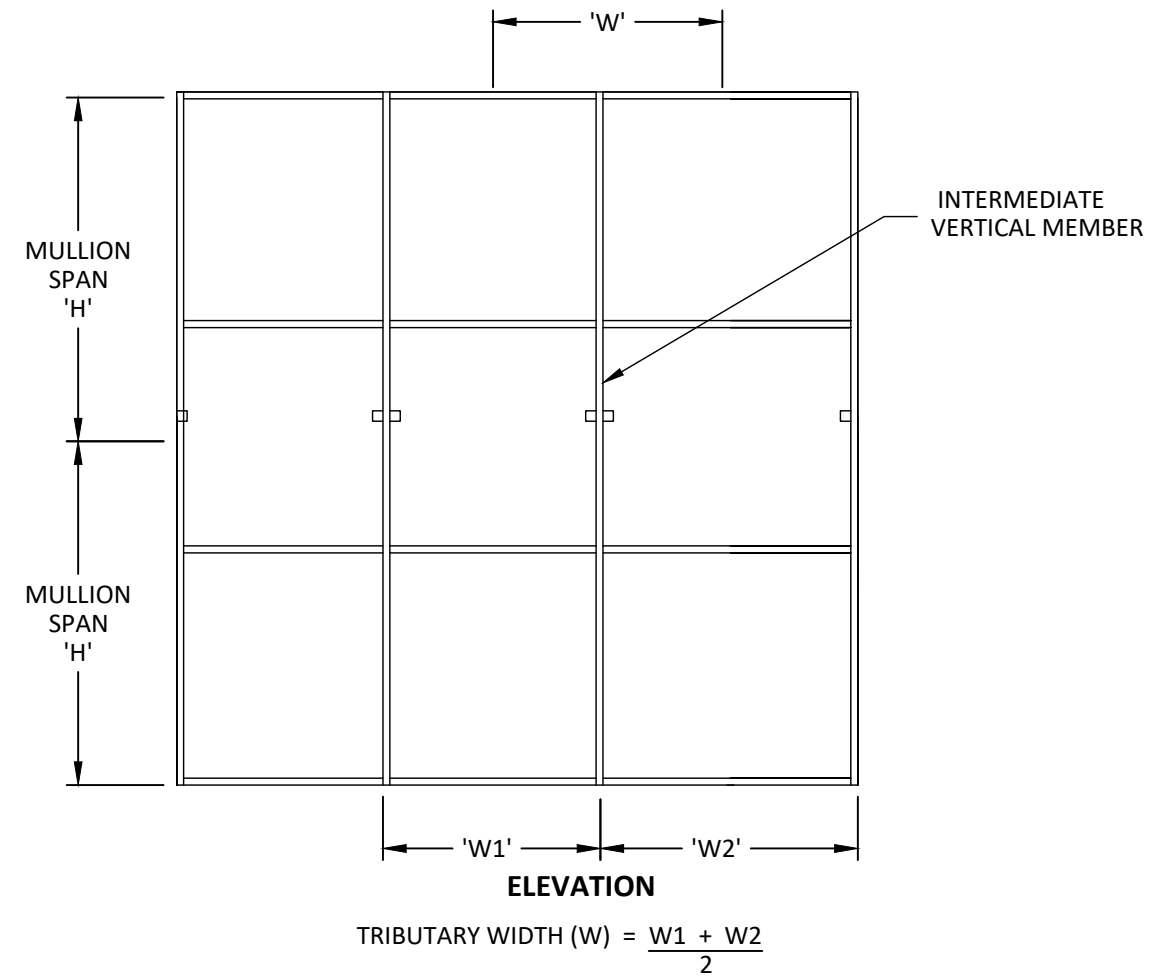
SHEET **6**  
OF 13



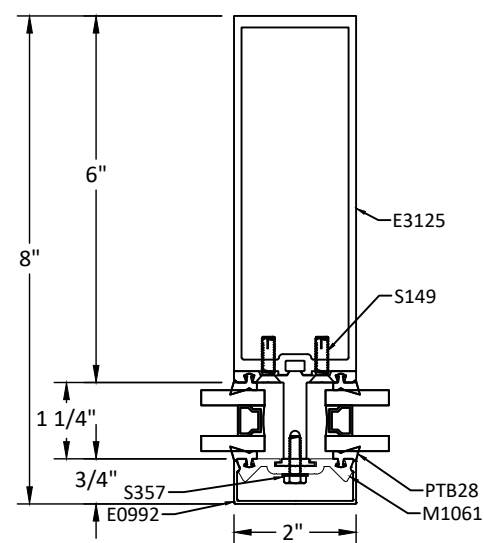
12/20/2020 7:06 PM  
c:\users\p50\onedrive - building drops, inc.\11006 2020-12-20.dwg

# VERTICAL DETAILS AND DESIGN PRESSURES (8" SYSTEM) (CONT.)

DESIGN PRESSURE TABLE (+/- PSF) - 8" SSG VERTICAL								
		MULLION TRIBUTARY WIDTH (INCHES)						
		25	28	31	34	37.75	40	43
MULLION SPAN (INCHES)	90	90.0	90.0	88.4	82.2	76.0	72.9	69.3
	96	90.0	88.9	81.8	76.0	70.1	67.1	-
	102	90.0	82.8	76.1	70.6	65.1	62.2	-
	109	84.6	76.7	70.4	65.3	60.0	-	-
	114	76.9	69.0	62.7	57.5	-	-	-
	120	65.8	59.0	53.6	49.1	-	-	-
	126	56.8	50.9	46.2	-	-	-	-
	132	49.3	44.2	40.1	-	-	-	-
	138	43.1	38.6	-	-	-	-	-
	144	37.9	33.9	-	-	-	-	-
	160	27.6	-	-	-	-	-	-

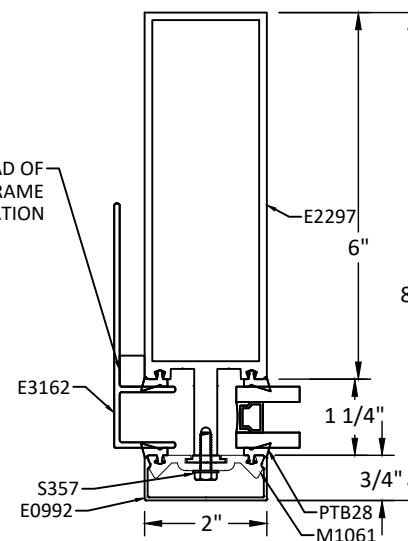


**A**  
**7** VERTICAL DETAIL  
8" STANDARD SILICONE GLAZED VERTICAL



**B**  
**7** VERTICAL DETAIL  
8" OPTIONAL SCREW APPLIED HORN

APPLY GENEROUS BEAD OF SEALANT PRIOR TO FRAME INSTALLATION



**C**  
**7** VERTICAL DETAIL  
8" OPTIONAL TUBULAR JAMB WITH F JAMB ANCHOR

**TUBELITE**  
DEPENDABLE  
LEADERS IN ECO-EFFICIENT STOREFRONT,  
CURTAINWALL AND ENTRANCE SYSTEMS

3056 WALKER RIDGE DRIVE N.W.  
WALKER, MICHIGAN 49544  
PH: 800 866 2227 FX: 616 301 0008

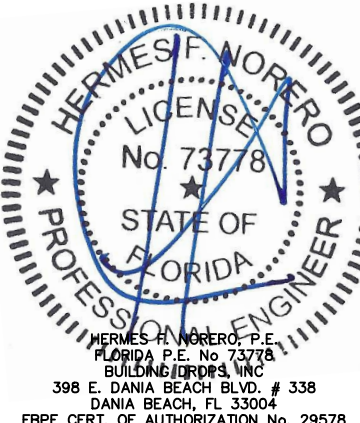
TITLE: 200 SERIES CURTAIN WALL  
(NON-HVHZ)(NON-IMPACT)  
VERTICAL DETAILS AND  
DESIGN PRESSURES (8" SYSTEM)  
(CONT.)

PREPARED BY:  
**BUILDING DROPS, INC.**  
398 E. DANIA BEACH BLVD., STE. 338  
DANIA BEACH, FL 33004  
PH: (954)399-8478  
FAX: (954)744-4738  
WEB: www.buildingdrops.com



REMARKS	BY	DATE

THE INSTALLATION DETAILS DESCRIBED HEREIN ARE GENERIC AND MAY NOT REFLECT ACTUAL CONDITIONS FOR A SPECIFIC SITE. IF SITE CONDITIONS CAUSE INSTALLATION TO DEVIATE FROM THE REQUIREMENTS DETAILED HEREIN, A LICENSED ENGINEER OR ARCHITECT SHALL PREPARE SITE SPECIFIC DOCUMENTS FOR USE WITH THIS DOCUMENT



FL #: **FL15568**

DATE: **09.15.20**

DWG. BY: **LL**      CHK. BY: **HFN**

SCALE: **NTS**

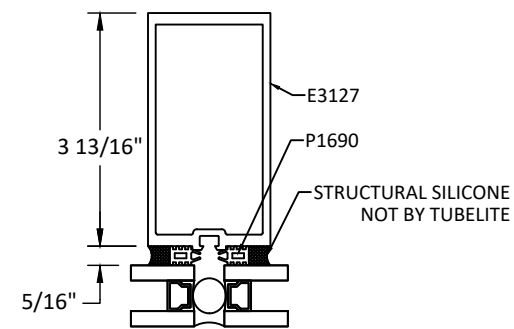
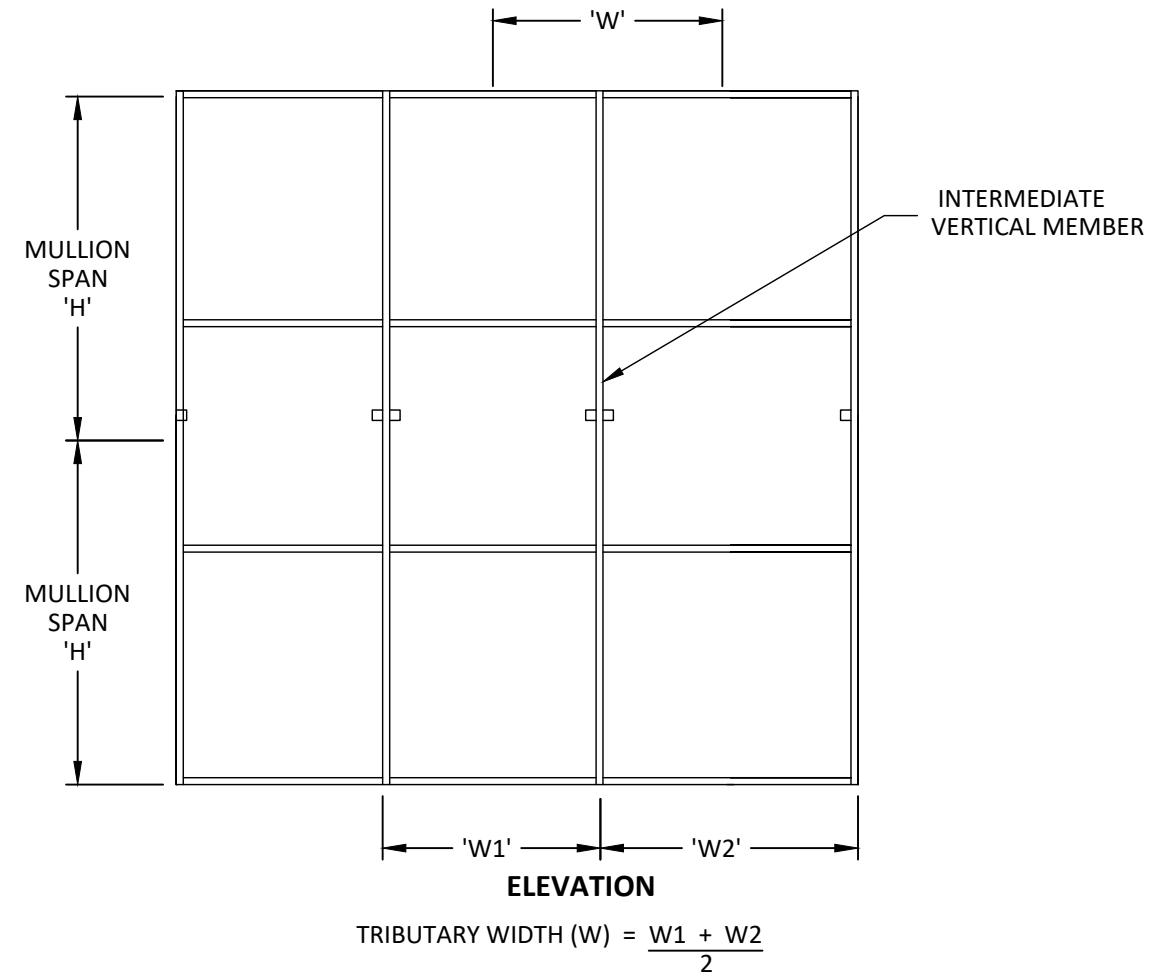
DWG. #: **TLI006**

SHEET  
**7**  
OF 13

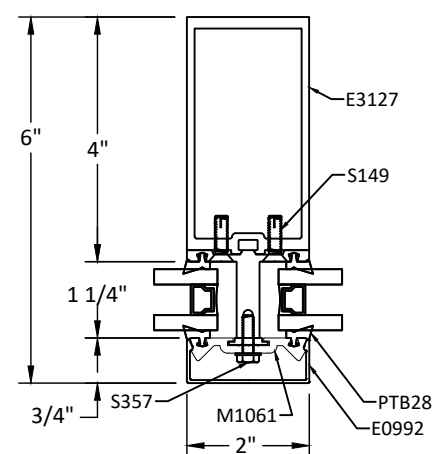
12/20/2020 7:06 PM  
c:\users\p50\onedrive - building drops, inc.\1006 2020-12-20.dwg

# VERTICAL DETAILS AND DESIGN PRESSURES (6" SYSTEM) (CONT.)

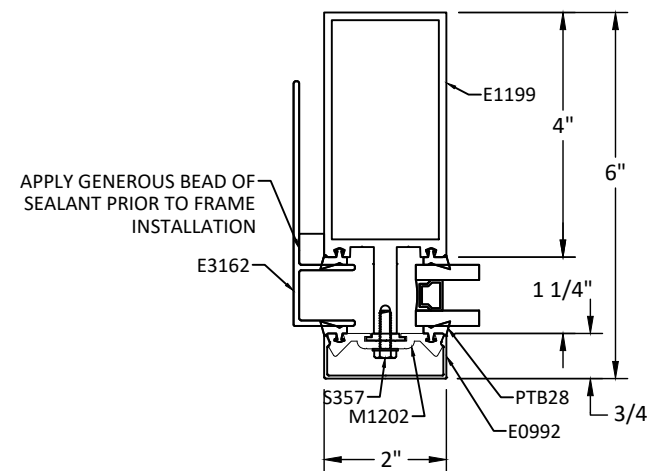
DESIGN PRESSURE TABLE (+/- PSF) - 6" SSG VERTICAL								
		MULLION TRIBUTARY WIDTH (INCHES)						
		36	42	48	54	61.5	66	72
MULLION SPAN (INCHES)	90	90.0	90.0	88.4	82.2	76.0	72.9	69.3
	96	90.0	88.9	81.8	76.0	70.1	67.1	-
	102	90.0	82.8	76.1	70.6	65.1	62.2	-
	109	84.6	76.7	70.4	65.2	58.7	-	-
	114	80.4	72.3	65.3	59.6	-	-	-
	120	73.1	65.3	59.0	53.8	-	-	-
	126	66.3	59.2	53.5	-	-	-	-
	132	60.4	54.0	48.7	-	-	-	-
	138	55.3	49.4	-	-	-	-	-
	144	50.8	45.3	-	-	-	-	-
	160	41.1	-	-	-	-	-	-



**A**  
**8** VERTICAL DETAIL  
6" STANDARD SILICONE GLAZED VERTICAL



**B**  
**8** VERTICAL DETAIL  
6" OPTIONAL SCREW APPLIED HORN



**C**  
**8** VERTICAL DETAIL  
6" OPTIONAL TUBULAR JAMB WITH F JAMB ANCHOR

**TUBELITE**  
DEPENDABLE  
LEADERS IN ECO-EFFICIENT STOREFRONT,  
CURTAINWALL AND ENTRANCE SYSTEMS

3056 WALKER RIDGE DRIVE N.W.  
WALKER, MICHIGAN 49544  
PH: 800 866 2227 FX: 616 301 0008

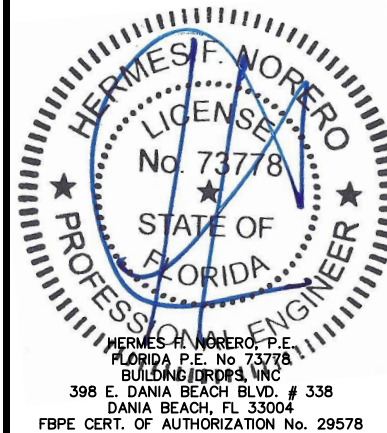
TITLE: 200 SERIES CURTAIN WALL  
(NON-HVHZ)(NON-IMPACT)  
VERTICAL DETAILS AND  
DESIGN PRESSURES (6" SYSTEM)  
(CONT.)

PREPARED BY:  
**BUILDING DROPS, INC.**  
398 E. DANIA BEACH BLVD., STE. 338  
DANIA BEACH, FL 33004  
PH: (954) 399-8478  
FAX: (954) 744-4738  
WEB: www.buildingdrops.com



REMARKS	BY	DATE

THE INSTALLATION DETAILS DESCRIBED HEREIN ARE GENERIC AND MAY NOT REFLECT ACTUAL CONDITIONS FOR A SPECIFIC SITE. IF SITE CONDITIONS CAUSE INSTALLATION TO DEVIATE FROM THE REQUIREMENTS DETAILED HEREIN, A LICENSED ENGINEER OR ARCHITECT SHALL PREPARE SITE SPECIFIC DOCUMENTS FOR USE WITH THIS DOCUMENT

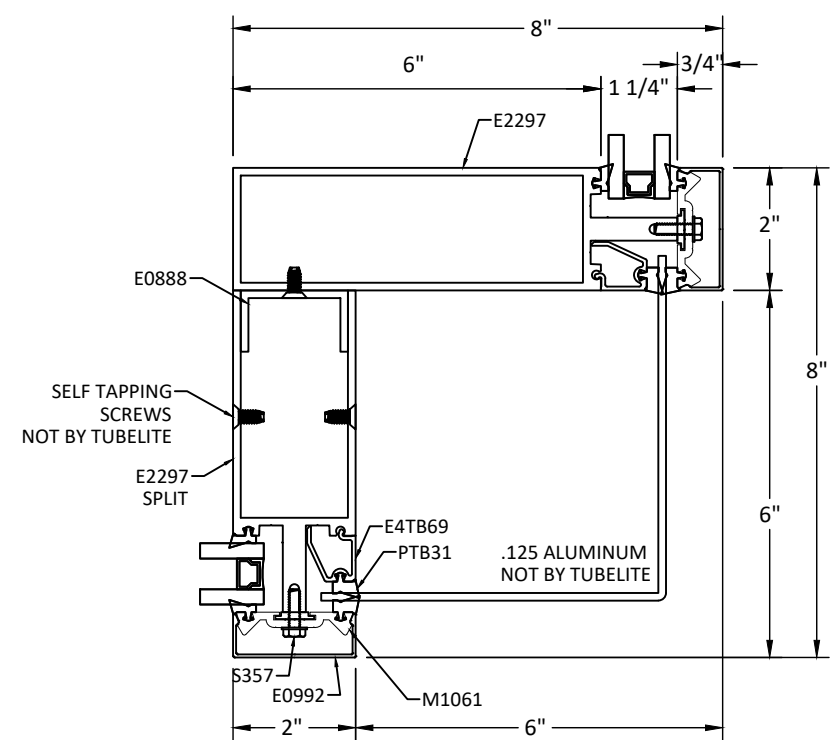


FL #: **FL15568**  
DATE: **09.15.20**  
DWG. BY: **LL** | CHK. BY: **HFN**  
SCALE: **NTS**  
DWG. #: **TLI006**

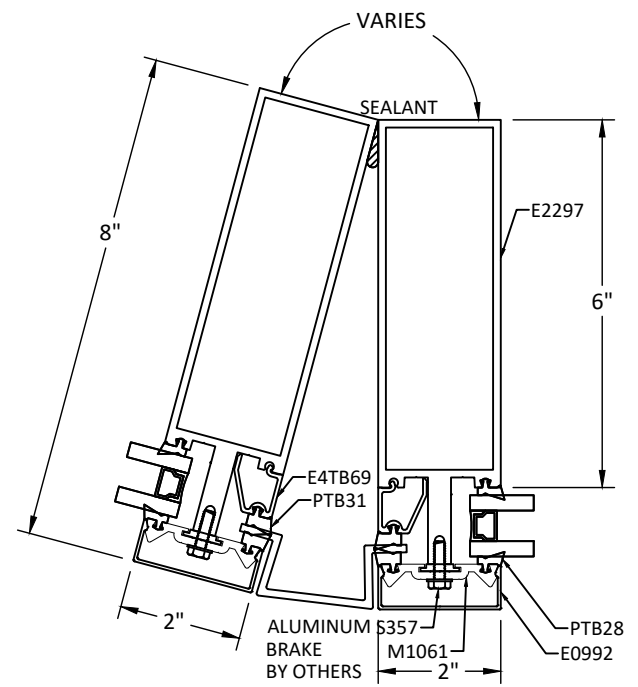


12/20/2020 7:06 PM

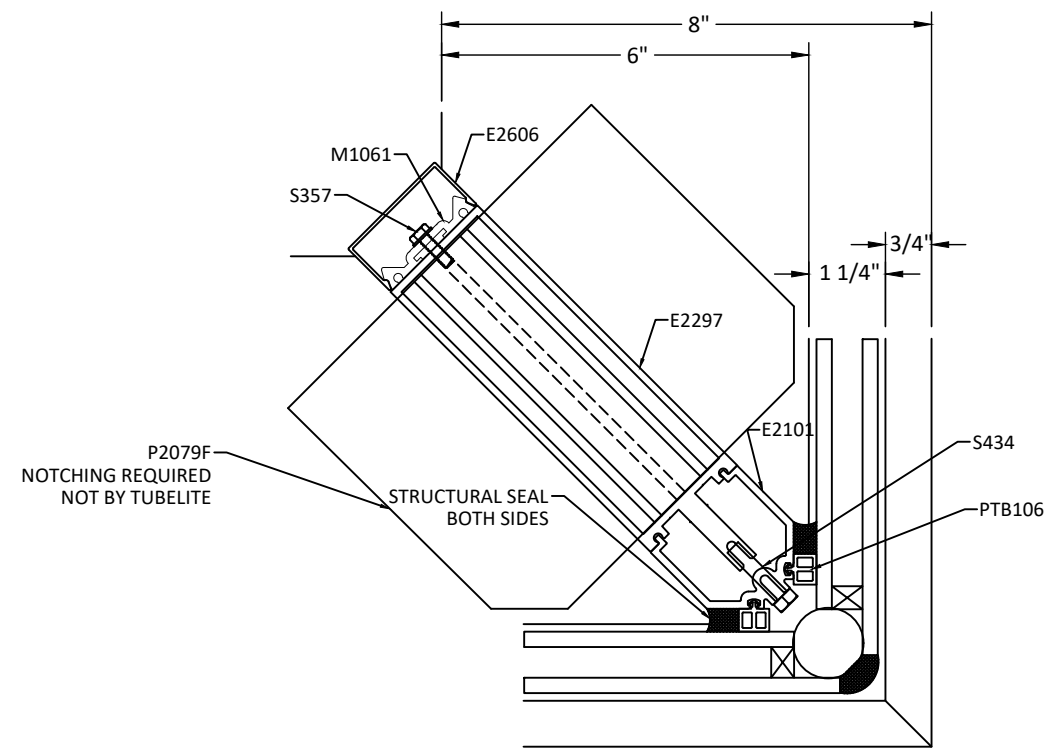
# CORNER DETAILS



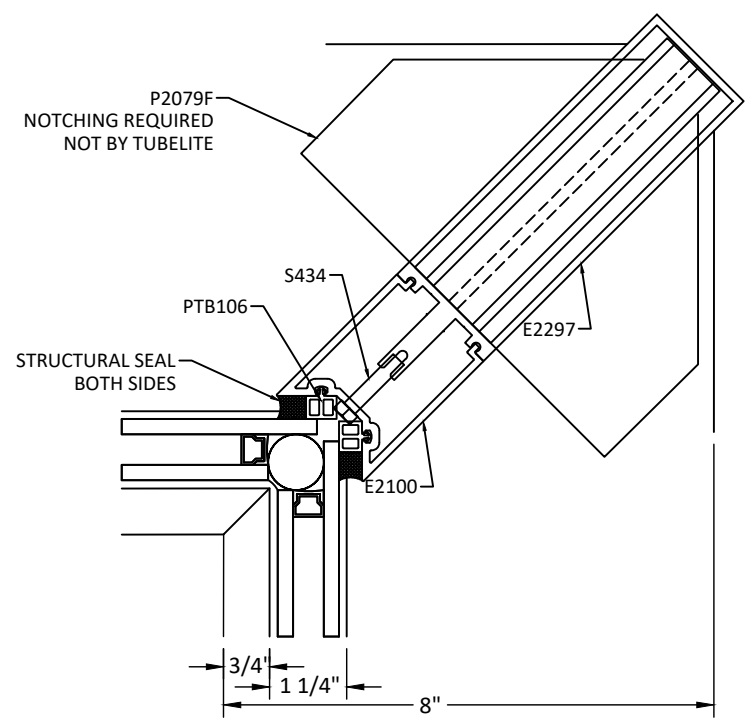
**A**  
9  
**CORNER DETAIL**  
STANDARD



**C**  
9  
**CORNER DETAIL**  
OPTIONAL CORNER



**B**  
9  
**90° CORNER DETAIL**  
90° SSG STANDARD



**D**  
9  
**CORNER DETAIL**  
90 SSG STANDARD INSIDE CORNER

**TUBELITE**  
DEPENDABLE  
LEADERS IN ECO-EFFICIENT STOREFRONT,  
CURTAINWALL AND ENTRANCE SYSTEMS

3056 WALKER RIDGE DRIVE N.W.  
WALKER, MICHIGAN 49544  
PH: 800 866 2227 FX: 616 301 0008

TITLE: 200 SERIES CURTAIN WALL  
(NON-HVHZ)(NON-IMPACT)

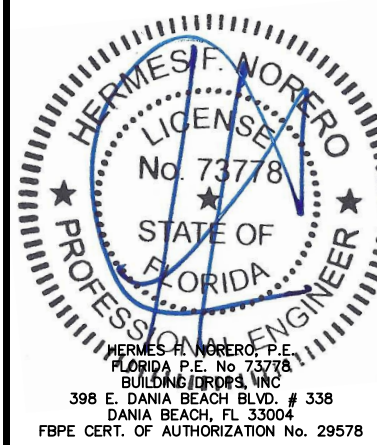
CORNER DETAILS

PREPARED BY:  
BUILDING DROPS, INC.  
398 E. DANIA BEACH BLVD., STE. 338  
DANIA BEACH, FL 33004  
PH: (954)399-8478  
FAX: (954)744-4738  
WEB: www.buildingdrops.com



REMARKS	BY	DATE

THE INSTALLATION DETAILS DESCRIBED HEREIN ARE GENERIC AND MAY NOT REFLECT ACTUAL CONDITIONS FOR A SPECIFIC SITE. IF SITE CONDITIONS CAUSE INSTALLATION TO DEVIATE FROM THE REQUIREMENTS DETAILED HEREIN, A LICENSED ENGINEER OR ARCHITECT SHALL PREPARE SITE SPECIFIC DOCUMENTS FOR USE WITH THIS DOCUMENT



FL #: **FL15568**

DATE: **09.15.20**

DWG. BY: **LL** CHK. BY: **HFN**

SCALE: **NTS**

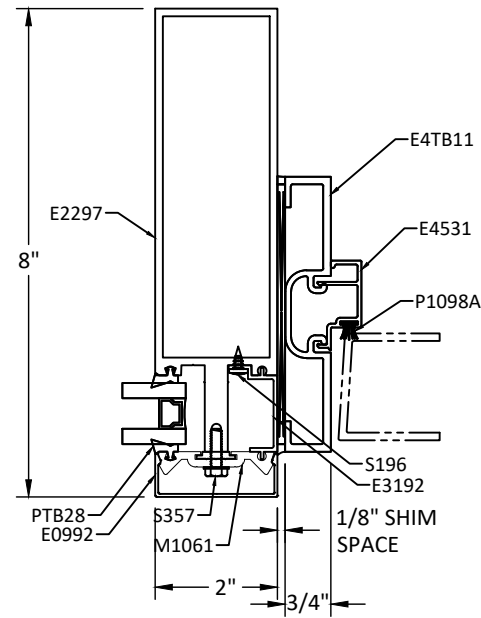
DWG. #: **TLI006**

SHEET  
**9**

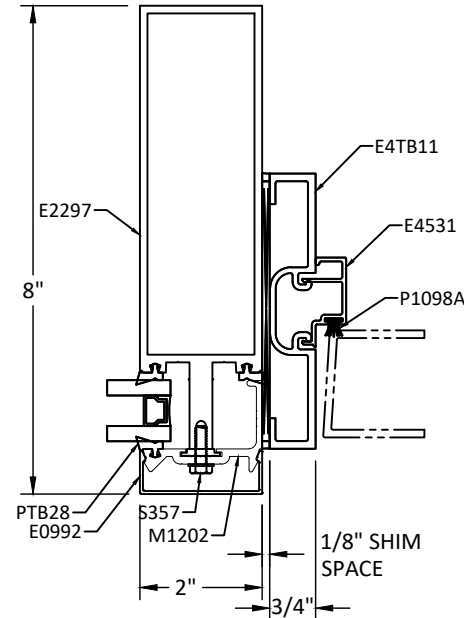
c:\users\p50\onedrive - building drops, inc.\tl006 2020-12-20.dwg

12/20/2020 7:06 PM

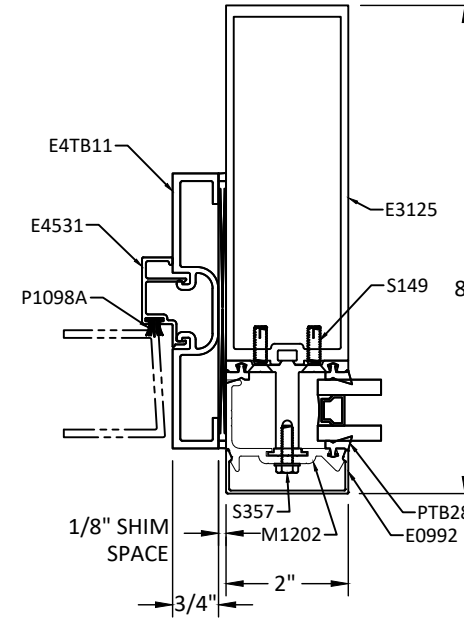
# DOOR DETAILS



**A**  
**10** DOOR DETAIL  
STANDARD JAMB

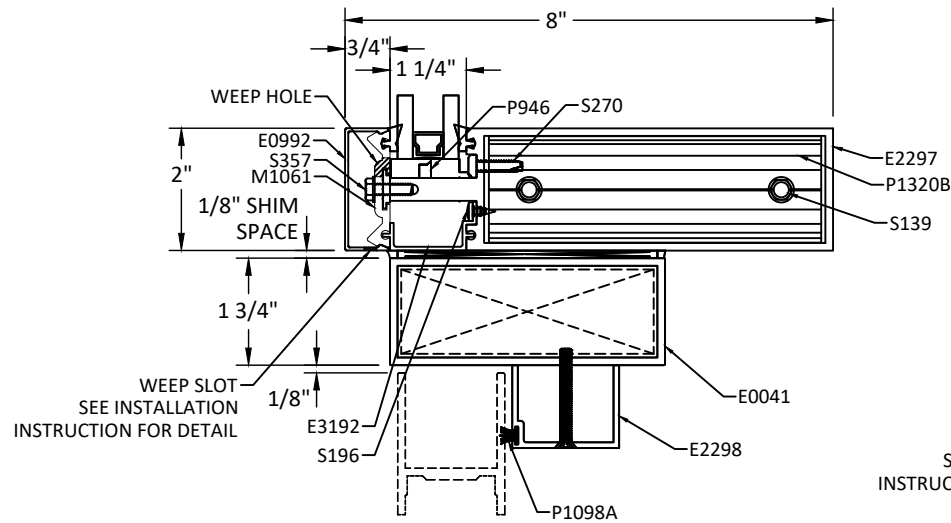


**B**  
**10** DOOR DETAIL  
OPTIONAL JAMB

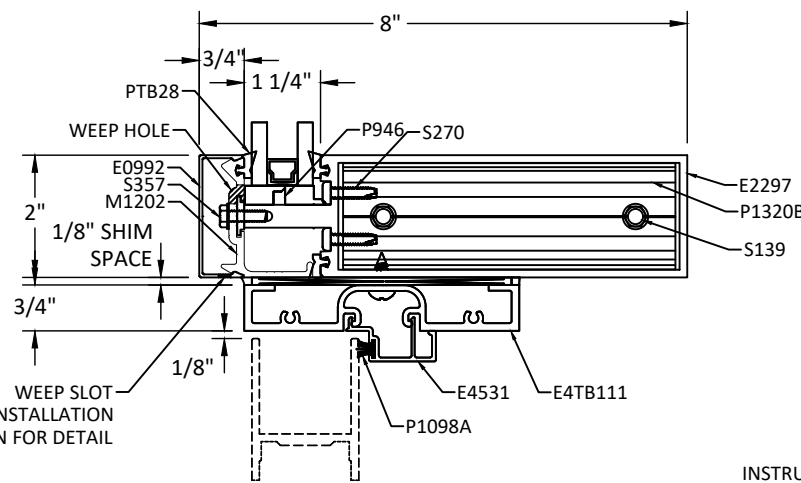


**C**  
**10** DOOR DETAIL  
OPTIONAL SCREW APPLIED HORN

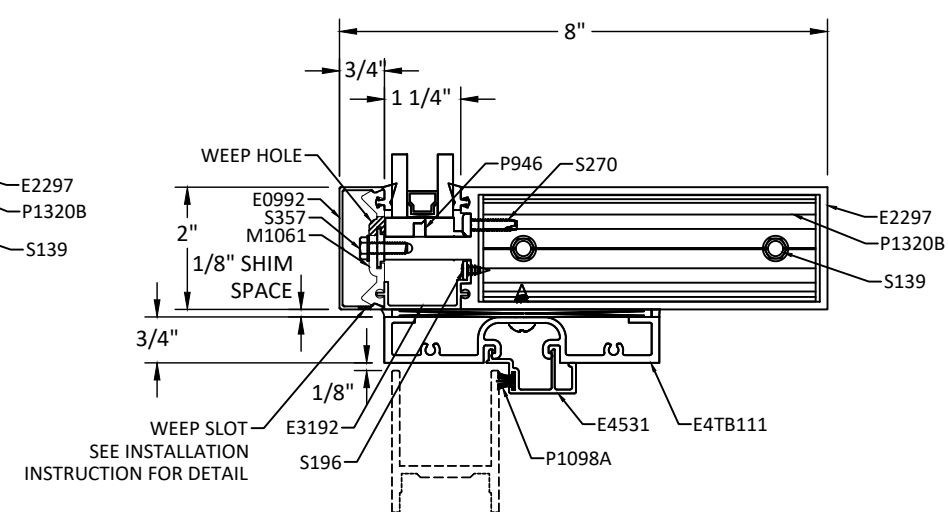
NOTE:  
DOOR SYSTEMS SHOWN ARE UNDER  
SEPARATE APPROVAL



**D**  
**10** DOOR DETAIL  
OPTIONAL TRANSOM



**E**  
**10** DOOR DETAIL  
OPTIONAL TRANSOM



**F**  
**10** DOOR DETAIL  
STANDARD TRANSOM

**TUBELITE**  
DEPENDABLE  
LEADERS IN ECO-EFFICIENT STOREFRONT,  
CURTAINWALL AND ENTRANCE SYSTEMS

3056 WALKER RIDGE DRIVE N.W.  
WALKER, MICHIGAN 49544  
PH: 800 866 2227 FX: 616 301 0008

TITLE: 200 SERIES CURTAIN WALL  
(NON-HVHZ)(NON-IMPACT)

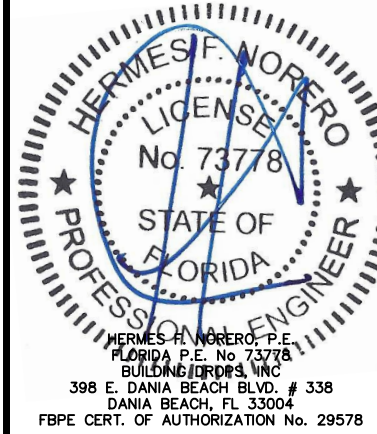
DOOR DETAILS

PREPARED BY:  
**BUILDING DROPS, INC.**  
398 E. DANIA BEACH BLVD., STE. 338  
DANIA BEACH, FL 33004  
PH: (954)399-8478  
FAX: (954)744-4738  
WEB: www.buildingdrops.com



REMARKS	BY	DATE

THE INSTALLATION DETAILS DESCRIBED HEREIN ARE GENERIC AND MAY NOT REFLECT ACTUAL CONDITIONS FOR A SPECIFIC SITE. IF SITE CONDITIONS CAUSE INSTALLATION TO DEVIATE FROM THE REQUIREMENTS DETAILED HEREIN, A LICENSED ENGINEER OR ARCHITECT SHALL PREPARE SITE SPECIFIC DOCUMENTS FOR USE WITH THIS DOCUMENT



FL #: **FL15568**

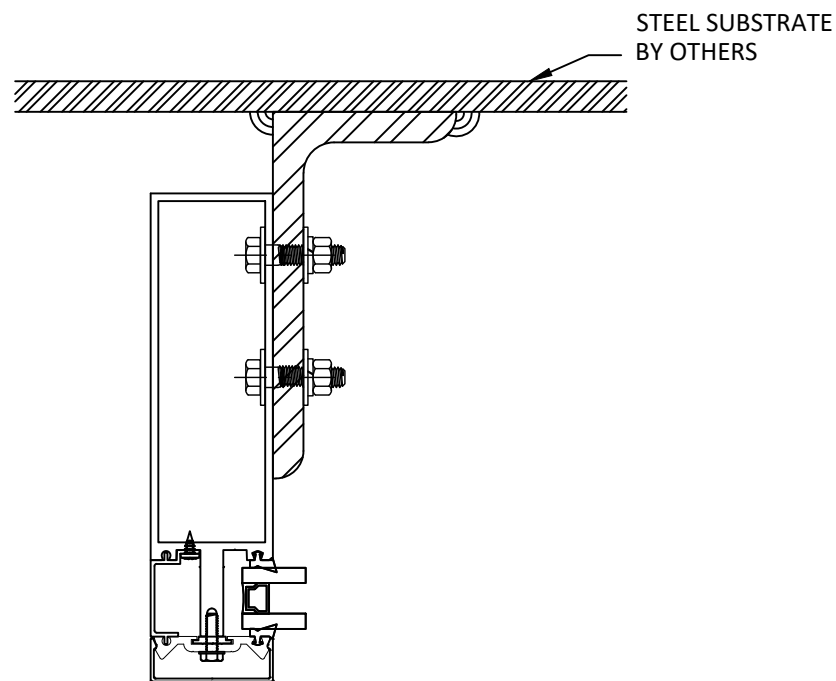
DATE: **09.15.20**

DWG. BY: <b>LL</b>	CHK. BY: <b>HFN</b>
-----------------------	------------------------

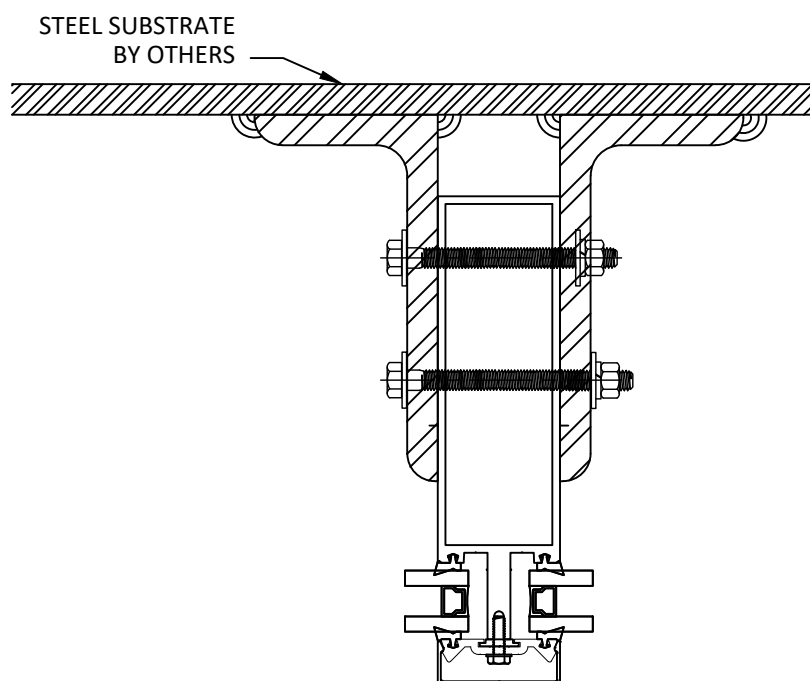
SCALE: **NTS**

DWG. #: **TLI006**

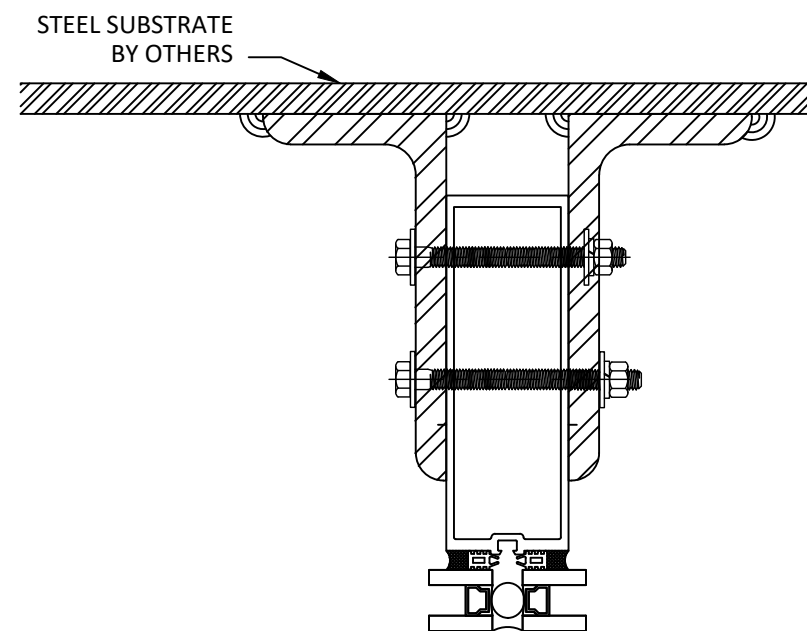
# WIND + DEAD LOAD ANCHOR DETAILS



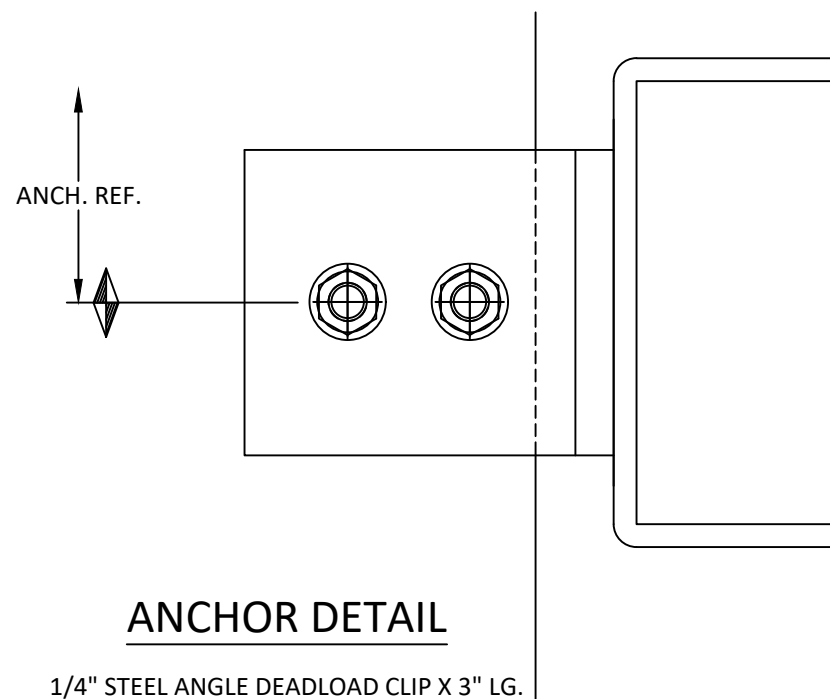
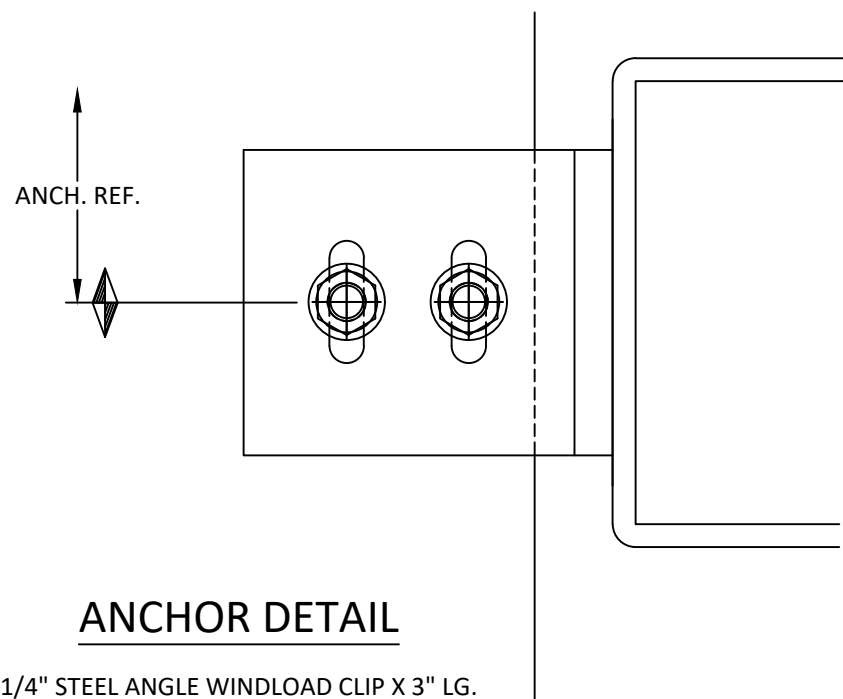
**A** HORIZONTAL SECTION  
11 WIND/DEAD LOAD ANCHOR AT JAMB



**B** HORIZONTAL SECTION  
11 WIND/DEAD LOAD ANCHOR AT INTERMEDIATE MULLION



**C** HORIZONTAL SECTION  
11 WIND LOAD ANCHOR AT SSG MULLION



NOTE:  
1) ALTERNATE WIND & DEAD LOAD ANCHORS MAY BE DESIGNED FOR ALTERNATE SITE CONDITIONS AND STEEL ANGLE DESIGN ON A JOB TO JOB BASIS FOR THE APPLICABLE WIND LOADS AS DETERMINED IN ACCORDANCE WITH CH. 16 OF THE FLORIDA BLDG. CODE BY A FLORIDA REGISTERED PROFESSIONAL ENGINEER.

**TUBELITE**  
DEPENDABLE

LEADERS IN ECO-EFFICIENT STOREFRONT, CURTAINWALL AND ENTRANCE SYSTEMS

3056 WALKER RIDGE DRIVE N.W.  
WALKER, MICHIGAN 49544  
PH: 800 866 2227 FX: 616 301 0008

TITLE: 200 SERIES CURTAIN WALL (NON-HVHZ)(NON-IMPACT)

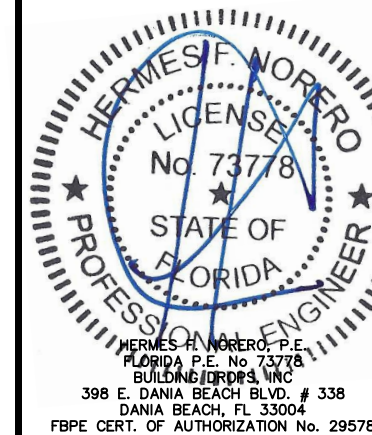
WIND/DEAD LOAD ANCHOR DETAILS

PREPARED BY:  
**BUILDING DROPS, INC.**  
398 E. DANIA BEACH BLVD., STE. 338  
DANIA BEACH, FL 33004  
PH: (954)399-8478  
FAX: (954)744-4738  
WEB: www.buildingdrops.com



REMARKS	BY	DATE

THE INSTALLATION DETAILS DESCRIBED HEREIN ARE GENERIC AND MAY NOT REFLECT ACTUAL CONDITIONS FOR A SPECIFIC SITE. IF SITE CONDITIONS CAUSE INSTALLATION TO DEVIATE FROM THE REQUIREMENTS DETAILED HEREIN, A LICENSED ENGINEER OR ARCHITECT SHALL PREPARE SITE SPECIFIC DOCUMENTS FOR USE WITH THIS DOCUMENT



FL #: **FL15568**

DATE: **09.15.20**

DWG. BY: **LL** CHK. BY: **HFN**

SCALE: **NTS**

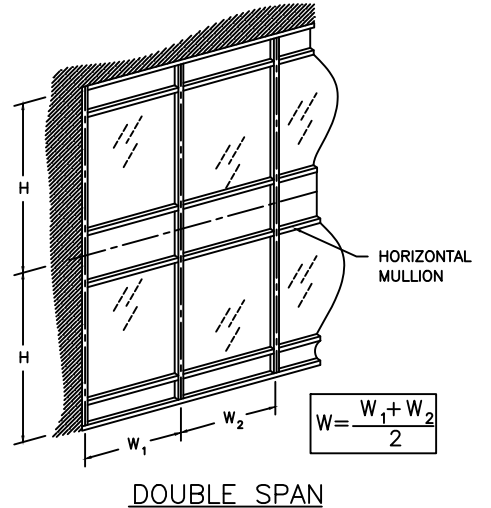
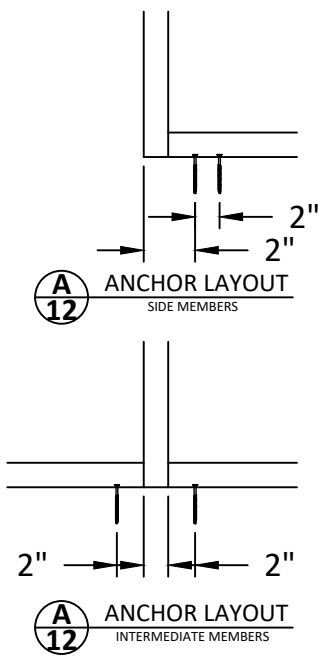
DWG. #: **TLI006**

SHEET **11**

c:\users\p50\onedrive - building drops, inc.\tl006 2020-12-20.dwg 12/20/2020 7:07 PM

12/20/2020 7:07 PM

MAX. ANCHOR CAPACITY - DESIGN PRESSURES (+/- PSF)										
"MAX. AVG. WIDTH 'W' (in.)"	"MAX. SPAN HEIGHT 'H' (in.)"	ANCHOR TYPE 'A' WITH 1/2" SHIM	ANCHOR TYPE 'B' WITH 1/2" SHIM	ANCHOR TYPE 'C' WITH 1/2" SHIM	ANCHOR TYPE 'D' WITH 1/2" SHIM	ANCHOR TYPE 'E' WITH 1/2" SHIM	ANCHOR TYPE 'F' WITH 1/2" SHIM	ANCHOR TYPE 'G' WITH 1/2" SHIM	ANCHOR TYPE 'H' WITH 1/2" SHIM	ANCHOR TYPE 'I' WITH 1/2" SHIM
36	90	31.1	26.4	36.8	36.8	44.4	45.0	45.0	45.0	45.0
42		26.7	22.6	31.5	31.5	38.1	45.0	45.0	45.0	45.0
48		23.4	19.8	27.6	27.6	33.3	45.0	45.0	45.0	45.0
54		20.8	17.6	24.5	24.5	29.6	45.0	45.0	45.0	45.0
61		18.2	15.4	21.5	21.5	26.0	44.5	44.5	45.0	45.0
66		17.0	14.4	20.1	20.1	24.2	41.5	41.5	45.0	45.0
72		15.6	13.2	18.4	18.4	22.2	38.0	38.0	45.0	45.0
36	96	29.2	24.7	34.5	34.5	41.7	45.0	45.0	45.0	45.0
42		25.0	21.2	29.6	29.6	35.7	45.0	45.0	45.0	45.0
48		21.9	18.5	25.9	25.9	31.3	45.0	45.0	45.0	45.0
54		19.5	16.5	23.0	23.0	27.8	45.0	45.0	45.0	45.0
61		17.1	14.5	20.2	20.2	24.4	41.7	41.7	45.0	45.0
66	15.9	13.5	18.8	18.8	22.7	38.9	38.9	45.0	45.0	
36	102	27.5	23.3	32.5	32.5	39.2	45.0	45.0	45.0	45.0
42		23.5	19.9	27.8	27.8	33.6	45.0	45.0	45.0	45.0
48		20.6	17.4	24.4	24.4	29.4	45.0	45.0	45.0	45.0
54		18.3	15.5	21.6	21.6	26.1	44.7	44.7	45.0	45.0
61	16.1	13.6	19.0	19.0	23.0	39.3	39.3	45.0	45.0	
36	109	25.7	21.8	30.4	30.4	36.7	45.0	45.0	45.0	45.0
42		22.0	18.7	26.0	26.0	31.5	45.0	45.0	45.0	45.0
48		19.3	16.3	22.8	22.8	27.5	45.0	45.0	45.0	45.0
54		17.1	14.5	20.3	20.3	24.5	41.9	41.9	45.0	45.0
61		15.0	12.7	17.8	17.8	21.5	36.8	36.8	45.0	45.0
36	114	24.6	20.8	29.1	29.1	35.1	45.0	45.0	45.0	45.0
42		21.1	17.8	24.9	24.9	30.1	45.0	45.0	45.0	45.0
48		18.4	15.6	21.8	21.8	26.3	45.0	45.0	45.0	45.0
54		16.4	13.9	19.4	19.4	23.4	40.0	40.0	45.0	45.0
36	120	23.4	19.8	27.6	27.6	33.3	45.0	45.0	45.0	45.0
42		20.0	16.9	23.7	23.7	28.6	45.0	45.0	45.0	45.0
48		17.5	14.8	20.7	20.7	25.0	42.8	42.8	45.0	45.0
54		15.6	13.2	18.4	18.4	22.2	38.0	38.0	45.0	45.0
36	126	22.2	18.8	26.3	26.3	31.7	45.0	45.0	45.0	45.0
42		19.1	16.1	22.5	22.5	27.2	45.0	45.0	45.0	45.0
48		16.7	14.1	19.7	19.7	23.8	40.7	40.7	45.0	45.0
36	132	21.2	18.0	25.1	25.1	30.3	45.0	45.0	45.0	45.0
42		18.2	15.4	21.5	21.5	26.0	44.5	44.5	45.0	45.0
48		15.9	13.5	18.8	18.8	22.7	38.9	38.9	45.0	45.0
36	138	20.3	17.2	24.0	24.0	29.0	45.0	45.0	45.0	45.0
42		17.4	14.7	20.6	20.6	24.8	42.5	42.5	45.0	45.0
48		15.2	12.9	18.0	18.0	21.7	37.2	37.2	45.0	45.0
36	144	19.5	16.5	23.0	23.0	27.8	45.0	45.0	45.0	45.0
42		16.7	14.1	19.7	19.7	23.8	40.7	40.7	45.0	45.0
36	160	17.5	14.8	20.7	20.7	25.0	42.8	42.8	45.0	45.0



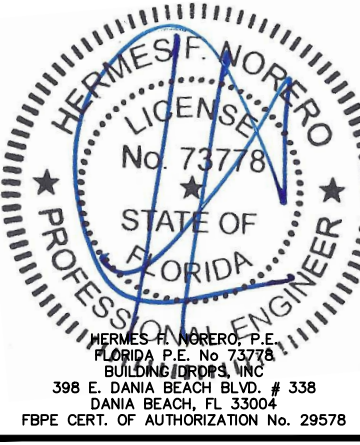
TYPE	DIAMETER	ANCHOR TYPE	SUBSTRATE	MINIMUM EDGE DISTANCE	MINIMUM EMBEDMENT
A	#14	WOOD SCREW	WOOD (MIN SG. = 0.55)	1"	1 3/4"
B	3/8"	LAG SCREW		2"	3"
C	1/4"	1/4-14 GR. 5 SELF TAPPING OR SELF DRILLING SCREW	"MIN. 16 GAUGE STEEL, MIN. Fy = 50 KSI, MIN. 1/8" THICK A36 STEEL OR MIN 1/8" THICK 6063-T5 ALUMINUM"	1/2"	MIN. 3 THREADS PENETRATION BEYOND STEEL STRUCTURE OR NUT
D	1/4"	GR. 5 CS OR 410 SS BOLT WITH WASHER & LOCK NUT	"MIN. 3,000 PSI CONCRETE 'CRACKED OR UNCRACKED'"	2"	1 3/4"
E	1/4"	ELCO ULTRAICON, ELCO CRETE-FLEX, ITW RAMSET/RED HEAD TAPCONS OR HILTI KWIK-CON II	"MIN. 3,000 PSI CONCRETE 'CRACKED OR UNCRACKED'"	2"	1 3/4"
F	5/16"	5/16-24 GR. 5 SELF TAPPING OR SELF DRILLING SCREW	MIN. 1/8" THICK A36 STEEL	5/8"	MIN. 3 THREADS PENETRATION BEYOND STEEL STRUCTURE OR NUT
G	5/16"	GR. 5 CS OR 410 SS BOLT WITH WASHER & LOCK NUT	MIN. 1/4" THICK A36 STEEL	1"	MIN. 3 THREADS PENETRATION BEYOND STEEL STRUCTURE OR NUT
H	1/2"	1/2-13 300 SS HCMS OR GR.5 CS THREAD FORMING SCREW	MIN. 1/4" THICK A36 STEEL	1"	MIN. 3 THREADS PENETRATION BEYOND STEEL STRUCTURE OR NUT
I	1/2"	GR. 5 CS OR 410 SS BOLT WITH WASHER & LOCK NUT	MIN. 1/8" THICK A36 STEEL	1"	MIN. 3 THREADS PENETRATION BEYOND STEEL STRUCTURE OR NUT

**TUBELITE**  
**DEPENDABLE**  
 LEADERS IN ECO-EFFICIENT STOREFRONT, CURTAINWALL AND ENTRANCE SYSTEMS  
 3056 WALKER RIDGE DRIVE N.W.  
 WALKER, MICHIGAN 49544  
 PH: 800 866 2227 FX: 616 301 0008

TITLE: 200 SERIES CURTAIN WALL (NON-HVHZ)(NON-IMPACT)  
 ANCHOR LAYOUT, SCHEDULE & DESIGN PRESSURES  
 PREPARED BY: BUILDING DROPS, INC.  
 398 E. DANIA BEACH BLVD., STE. 338  
 DANIA BEACH, FL 33004  
 PH: (954)399-8478  
 FAX: (954)744-4738  
 WEB: www.buildingdrops.com

REMARKS	BY	DATE

THE INSTALLATION DETAILS DESCRIBED HEREIN ARE GENERIC AND MAY NOT REFLECT ACTUAL CONDITIONS FOR A SPECIFIC SITE. IF SITE CONDITIONS CAUSE INSTALLATION TO DEVIATE FROM THE REQUIREMENTS DETAILED HEREIN, A LICENSED ENGINEER OR ARCHITECT SHALL PREPARE SITE SPECIFIC DOCUMENTS FOR USE WITH THIS DOCUMENT



FL #: **FL15568**  
 DATE: **09.15.20**  
 DWG. BY: **LL** | CHK. BY: **HFN**  
 SCALE: **NTS**  
 DWG. #: **TLI006**  
 SHEET **12**  
 OF 13

c:\users\p50\onedrive - building drops, inc.\tl006 2020-12-20.dwg



12/20/2020 7:07 PM

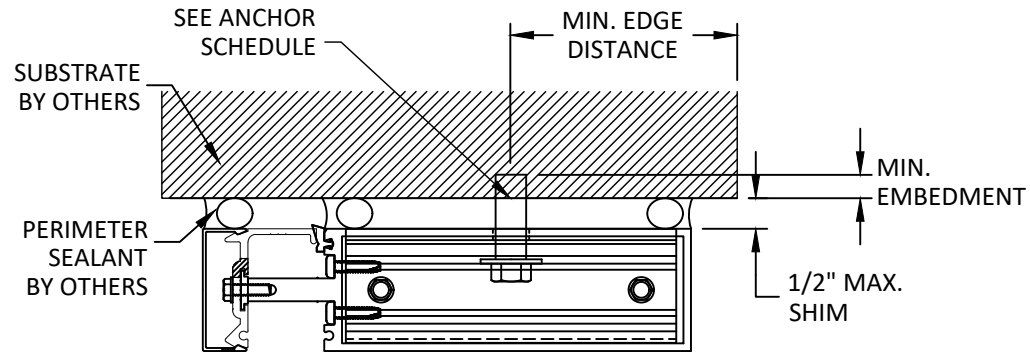
**TUBELITE**  
DEPENDABLE  
LEADERS IN ECO-EFFICIENT STOREFRONT,  
CURTAINWALL AND ENTRANCE SYSTEMS

3056 WALKER RIDGE DRIVE N.W.  
WALKER, MICHIGAN 49544  
PH: 800 866 2227 FX: 616 301 0008

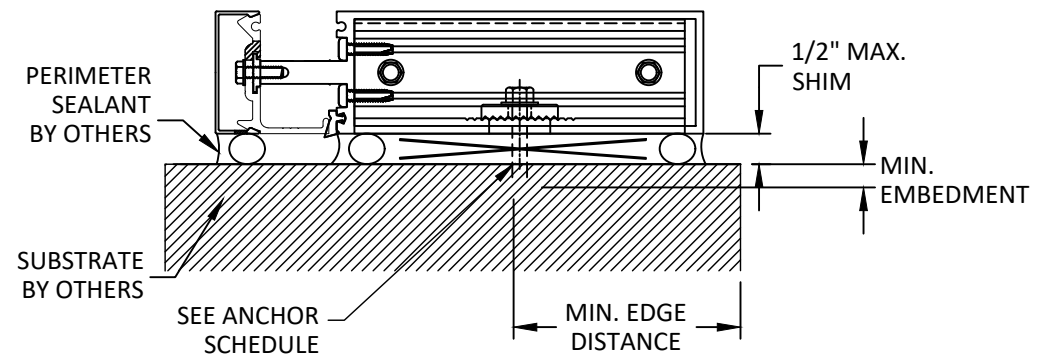
TITLE: 200 SERIES CURTAIN WALL  
(NON-HVHZ)(NON-IMPACT)

ANCHOR DETAILS AND  
INSTALLATION NOTES

PREPARED BY:  
**BUILDING DROPS, INC.**  
398 E. DANIA BEACH BLVD., STE. 338  
DANIA BEACH, FL 33004  
PH: (954)399-8478  
FAX: (954)744-4738  
WEB: www.buildingdrops.com



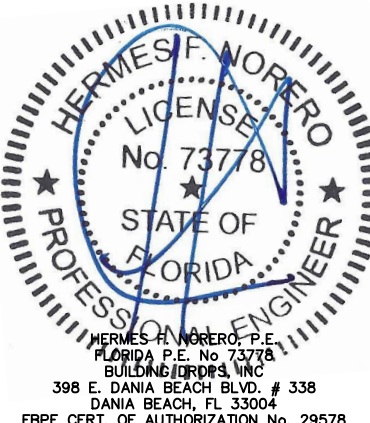
**A**  
13 ANCHOR DETAIL  
HEAD



**B**  
13 ANCHOR DETAIL  
SILL

REMARKS	BY	DATE

THE INSTALLATION DETAILS DESCRIBED HEREIN ARE GENERIC AND MAY NOT REFLECT ACTUAL CONDITIONS FOR A SPECIFIC SITE. IF SITE CONDITIONS CAUSE INSTALLATION TO DEVIATE FROM THE REQUIREMENTS DETAILED HEREIN, A LICENSED ENGINEER OR ARCHITECT SHALL PREPARE SITE SPECIFIC DOCUMENTS FOR USE WITH THIS DOCUMENT



FL #: **FL15568**

DATE: **09.15.20**

DWG. BY: **LL**      CHK. BY: **HFN**

SCALE: **NTS**

DWG. #: **TLI006**

SHEET  
**13**  
OF 13

INSTALLATION NOTES:

- ONE (1) INSTALLATION ANCHOR IS REQUIRED AT EACH ANCHOR LOCATION SHOWN.
- THE NUMBER OF INSTALLATION ANCHORS DEPICTED IS THE MINIMUM NUMBER OF ANCHORS TO BE USED FOR PRODUCT INSTALLATION.
- INSTALL INDIVIDUAL INSTALLATION ANCHORS WITHIN A TOLERANCE OF  $\pm 1/2$  INCH OF THE DEPICTED LOCATION IN THE ANCHOR LAYOUT DETAIL (I.E., WITHOUT CONSIDERATION OF TOLERANCES). TOLERANCES ARE NOT CUMULATIVE FROM ONE INSTALLATION ANCHOR TO THE NEXT.
- SHIM AS REQUIRED AT EACH INSTALLATION ANCHOR WITH LOAD BEARING SHIM(S). MAXIMUM ALLOWABLE SHIM STACK TO BE 1/2 INCH. SHIM WHERE SPACE OF 1/16 INCH OR GREATER OCCURS. SHIM(S) SHALL BE CONSTRUCTED OF HIGH DENSITY PLASTIC OR BETTER.
- MINIMUM EMBEDMENT AND EDGE DISTANCE EXCLUDE WALL FINISHES, INCLUDING BUT NOT LIMITED TO STUCCO, FOAM, BRICK VENEER, AND SIDING.
- INSTALLATION ANCHORS AND ASSOCIATED HARDWARE MUST BE MADE OF CORROSION RESISTANT MATERIAL OR HAVE A CORROSION RESISTANT COATING.
- INSTALLATION ANCHORS SHALL BE INSTALLED IN ACCORDANCE WITH ANCHOR MANUFACTURER'S INSTALLATION INSTRUCTIONS, AND ANCHORS SHALL NOT BE USED IN SUBSTRATES WITH STRENGTHS LESS THAN THE MINIMUM STRENGTH SPECIFIED BY THE ANCHOR MANUFACTURER.

c:\users\p50\onedrive - building drops, inc.\tl006 2020-12-20.dwg